

## Excellent Integrated System Limited

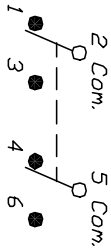
Stocking Distributor

Click to view price, real time Inventory, Delivery & Lifecycle Information:

[E-Switch](#)  
[200MDP3T4B4M1RE](#)

For any questions, you can email us directly:  
[sales@integrated-circuit.com](mailto:sales@integrated-circuit.com)

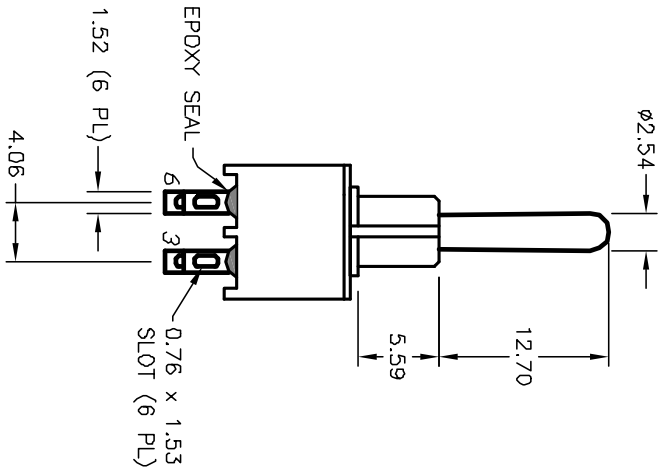
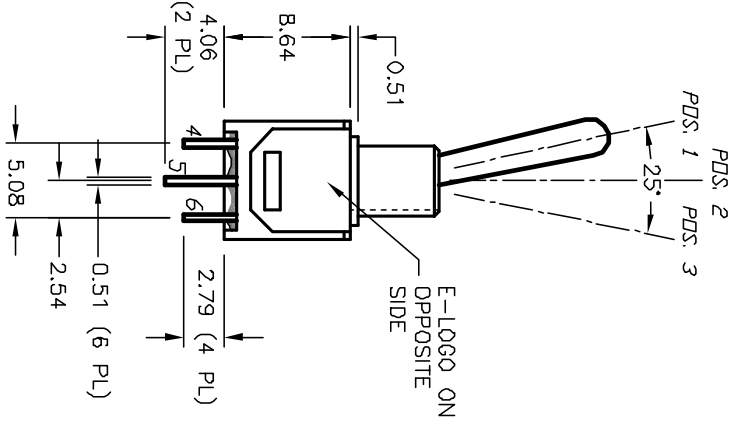
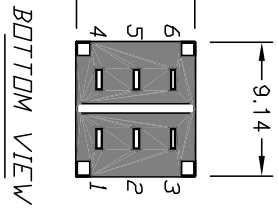
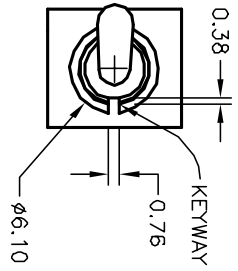
SWITCH FUNCTION		
POS. 1	POS. 2	POS. 3
DN	OFF	DN
2-3,5-6	OPEN	2-1,5-4



CIRCUIT, DPDT

NOTES:

1. ALL DIMENSIONS IN MM
2. GENERAL TOLERANCE: X.X=±0.4  
X.XX=±0.25
3. TERMINAL NUMBERS FOR REF ONLY
4. RATING: 0.4(VA) @20V max. (ACor DC)
5. CONTACT MATERIAL:  
Copper Alloy w/Gold plate over Nickel plate.
6. ELECTRICAL LIFE: 30,000 make-and-break cycles at full load.
7. INSULATION RESISTANCE: 1,000 Mega-ohm min.
8. DIELECTRIC STRENGTH: 1,000 V RMS @sea level.
9. CONTACT RESISTANCE: 20mΩ-Ohms max. Typical Initial @2-4VDC
10. OPERATING TEMP.: -30°C to 85°C



**E-SWITCH®**

REV. A	ECN No. 12267	RELEASED FOR PRODUCTION	DATE 6/26/02	CHKD CJB
		DESCRIPTION DESCRIPTION		
THE INFORMATION CONTAINED IN THIS DOCUMENT IS PROPRIETARY TO E-SWITCH AND IS NOT TO BE COPIED OR TRANSMITTED				

TITLE	200 MDP3 T4 B4 M1 R E (GOLD CONTACTS)	SCALE 2:1	DATE 6/26/02	DR CJB	DWG T221042	REV A
-------	---------------------------------------	-----------	--------------	--------	-------------	-------