

Excellent Integrated System Limited

Stocking Distributor

Click to view price, real time Inventory, Delivery & Lifecycle Information:

[E-Switch](#)
[200MSP1T1B1M6QE](#)

For any questions, you can email us directly:

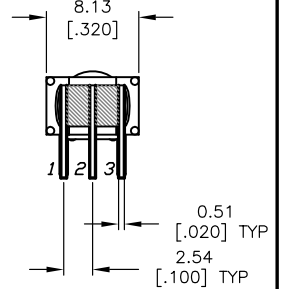
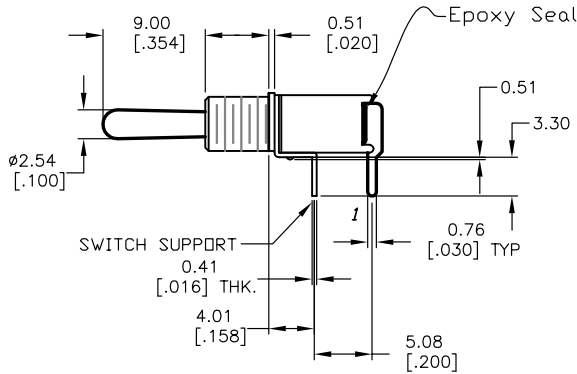
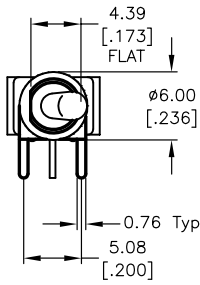
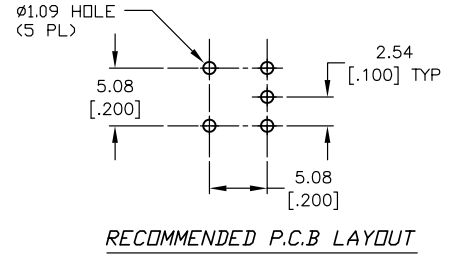
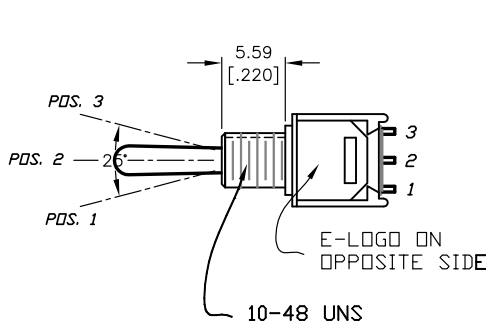
sales@integrated-circuit.com

SHEET OF



CIRCUIT: SPDT

| SWITCH FUNCTION | | |
|-----------------|--------|--------|
| PDS. 1 | PDS. 2 | PDS. 3 |
| | | |
| DN | NONE | DN |
| 2-3 | OPEN | 2-1 |



NOTES:

- ALL DIMENSIONS IN MM
- GENERAL TOLERANCE: X.X=±0.4
X.XX=±0.25
- TERM. NOS. FOR REF. ONLY
- CONTACT RATING: 3A@ 120VAC. OR 28VDC:
1A@ 250VAC.
- ▲ 5. FIXED TERMINAL & MOVING CONTACT: CU ALLOY W/ SILVER PLATE
- ELECTRIC LIFE: 30,000 MAKE-AND-BREAK CYCLES
AT FULL LOAD.
- INSULATION RESISTANCE: 1,000 M OHM MIN.
- DIELECTRIC STRENGTH: 1,000 V RMS @SEA LEVEL.
- OPERATING TEMP.: -30°C to 85°C
- ▲ DENOTES CRITICAL PARAMETER.

E-SWITCH®

| | | | | | | | |
|-------|--------|----|---------|-----------------|--|--|--|
| TITLE | | | | 200MSP1T1B1M6QE | | | |
| SCALE | DATE | DR | DWG | REV | | | |
| 2:1 | 8/4/04 | AR | T211101 | A | | | |

| | | | | |
|---|---------|-------------------------|--------|------|
| A | 14214 | RELEASED FOR PRODUCTION | 8/4/04 | AR |
| REV. | ECN No. | DESCRIPTION | DATE | CHKD |
| <small>THE INFORMATION CONTAINED IN THIS DOCUMENT IS PROPRIETARY TO E-SWITCH AND IS NOT TO BE COPIED OR TRANSFERRED</small> | | | | |