

Excellent Integrated System Limited

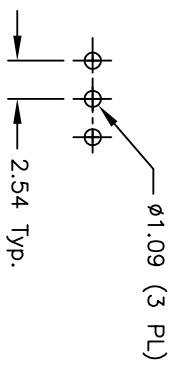
Stocking Distributor

Click to view price, real time Inventory, Delivery & Lifecycle Information:

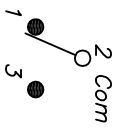
[E-Switch](#)
[200MSP1T1B2M2QE](#)

For any questions, you can email us directly:

sales@integrated-circuit.com



RECOMMENDED P.C.B. LAYOUT

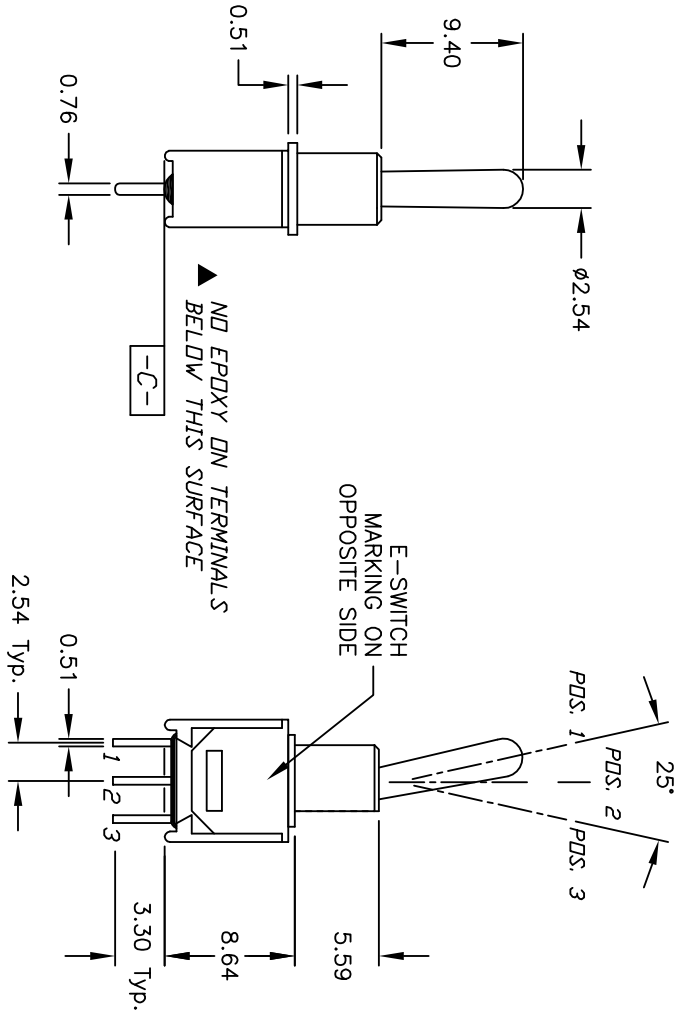
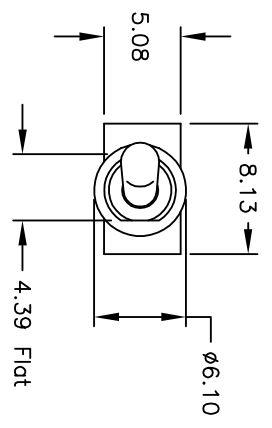


CIRCUIT: SPDT
 CONTACT CONFIGURATION

SWITCH FUNCTION		
PDS. 1	PDS. 2	PDS. 3
DN	NONE	DN
2-3	DPEN	2-1

NOTES:

1. ALL DIMENSIONS IN MM
2. GENERAL TOLERANCE: X.X=±0.4
X.XX=±0.25
3. TERM. NOS. FOR REF. ONLY
4. CONTACT RATING: 3A @120VAC OR 28VDC, 1A @250VAC
5. ELECTRIC LIFE: 30,000 make-and-break cycles
at full load.
6. INSULATION RESISTANCE: 1,000 M ohm min.
7. DIELECTRIC STRENGTH: 1,000 V RMS @sea level.
8. OPERATING TEMP. -30°C to 85°C
9. DESIGNATE MAJOR DIMENSION ▲



REV.	ECN No.	DESCRIPTION	DATE	CHKD
A	11368	RELEASED FOR PRODUCTION	4/2/01	CJB

TITLE	SCALE	DATE	DR	DWG	REV
200 MSP-1 T1 B2 M2 Q E	2:1	4/2/01	CJB	T211074	A

E-SWITCH®

THE INFORMATION CONTAINED IN THIS DOCUMENT IS PROPRIETARY TO E-SWITCH AND IS NOT TO BE COPIED OR TRANSFERRED