

Excellent Integrated System Limited

Stocking Distributor

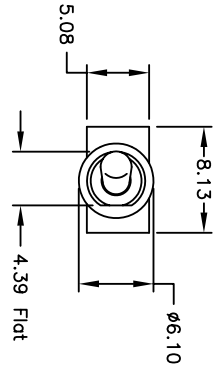
Click to view price, real time Inventory, Delivery & Lifecycle Information:

[E-Switch](#)
[200MSP1T2B2M2RE](#)

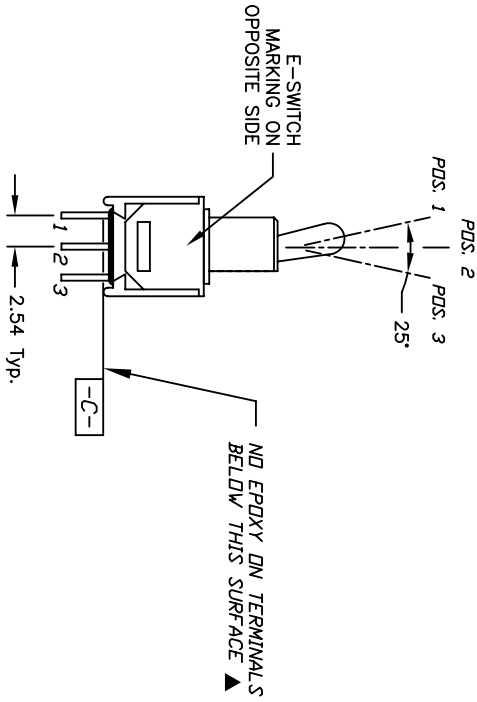
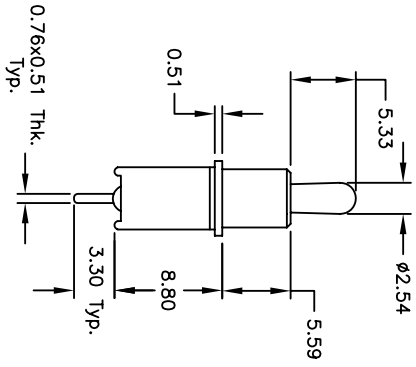
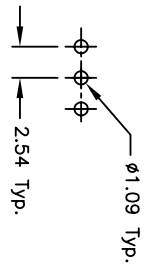
For any questions, you can email us directly:

sales@integrated-circuit.com

SHEET OF



RECOMMEND P.C.B. LAYOUT



CIRCUIT: SPDT
 CONTACT CONFIGURATION

SWITCH FUNCTION			
PDS. 1	PDS. 2	PDS. 3	
DN	ND/NE	DN	
2-3	DPEN	2-1	

- NOTES:
1. ALL DIMENSIONS IN MM
 2. GENERAL TOLERANCE: 0.0=±0.4
0.00=±0.25
 3. TERM. NOS. FOR REF. ONLY
 4. CONTACT RATING: 0.4 (VA) max. @20 VAC or DC max.
 5. FIXED TERMINAL & MOVING CONTACT: Cu alloy w/ Au plate over Ni plate.
 6. ELECTRIC LIFE: 30,000 make-and-break cycles
at full load.
 7. INSULATION RESISTANCE: 1,000 M ohm min.
 8. DIELECTRIC STRENGTH: 1,000 V RMS @sea level.
 9. OPERATING TEMP.: -30°C to 85°C

E-SWITCH

TITLE: 200 MSP-1 T2 B2 M2 R E

REV.	ECN No.	DESCRIPTION	DATE	CHKD
A	10346	RELEASED FOR PRODUCTION		

SCALE	DATE	DR	DWG	REV
2:1	9/7/99	MM	T211062	A

THE INFORMATION CONTAINED IN THIS DOCUMENT IS PROPRIETARY TO E-SWITCH AND IS NOT TO BE COPIED OR TRANSFERRED