

Excellent Integrated System Limited

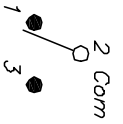
Stocking Distributor

Click to view price, real time Inventory, Delivery & Lifecycle Information:

[E-Switch](#)
[200MSP1T2B5M6RE](#)

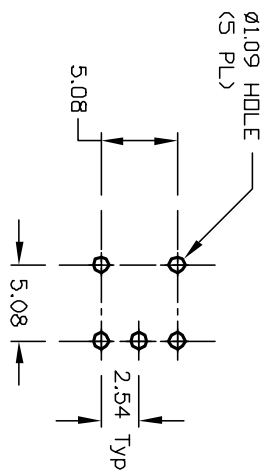
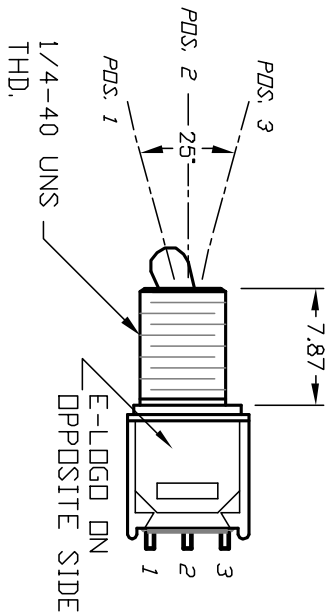
For any questions, you can email us directly:

sales@integrated-circuit.com

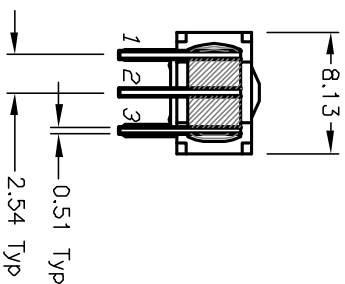
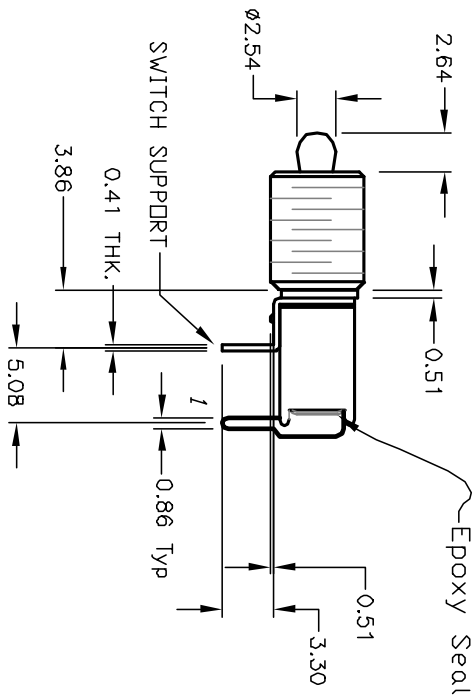
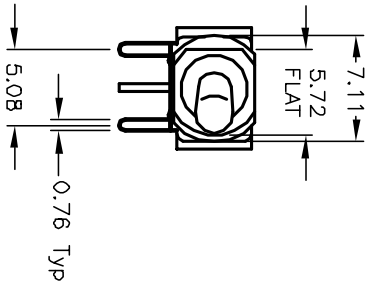


CIRCUIT: SPDT

SWITCH FUNCTION			
PDS. 1	PDS. 2	PDS. 3	
DN	NONE	DN	
2-3	OPEN	2-1	



RECOMMENDED P.C.B. LAYOUT



NOTES:

1. ALL DIMENSIONS IN MM
2. GENERAL TOLERANCE: X.X=±0.4
X.XX=±0.25
3. TERM. NOS. FOR REF. ONLY
4. CONTACT RATING: 0.4VA max. @20VAC or 28VDCmax.
5. FIXED TERMINAL & MOVING CONTACT: Copper Alloy w/GOLD plate over Nickel plate.
6. ELECTRIC LIFE: 30,000 make-and-break cycles at full load.
7. INSULATION RESISTANCE: 1,000 M ohm min.
8. DIELECTRIC STRENGTH: 1,000 V RMS @sea level.
9. OPERATING TEMP.: -30°C to 85°C

E-SWITCH®

REV.	ECN No.	DESCRIPTION	DATE	CHKD
A	12208	RELEASED FOR PRODUCTION	6/5/02	CJB
		DESCRIPTION		CHKD

TITLE	SCALE	DATE	DR	DWG	REV
200 MSP-1 T2 B5 M6 R E (GOLD CONTACTS)	2:1	6/5/02	CJB	T211256	A

THE INFORMATION CONTAINED IN THIS DOCUMENT IS PROPRIETARY TO E-SWITCH AND IS NOT TO BE COPIED OR TRANSMITTED