

Excellent Integrated System Limited

Stocking Distributor

Click to view price, real time Inventory, Delivery & Lifecycle Information:

[E-Switch](#)
[200MSP1T3B2M6RE](#)

For any questions, you can email us directly:

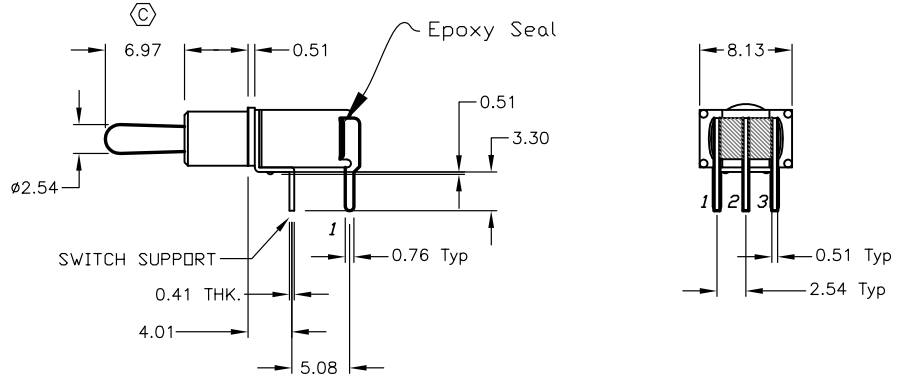
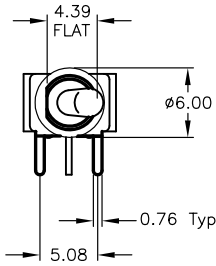
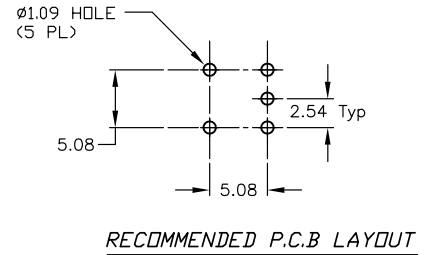
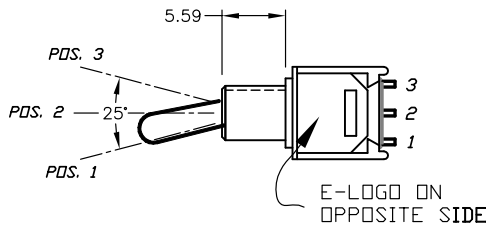
sales@integrated-circuit.com

SHEET OF



CIRCUIT: SPDT

SWITCH FUNCTION		
PDS. 1	PDS. 2	PDS. 3
DN	NONE	DN
2-3	OPEN	2-1



NOTES:

1. ALL DIMENSIONS IN MM
2. GENERAL TOLERANCE: X.X=±0.4
X.XX=±0.25
3. TERM. NOS. FOR REF. ONLY
4. CONTACT RATING: 0.4(VA) @20V max. (AC or dC)
5. FIXED TERMINAL & MOVING CONTACT:
Copper Alloy w/Gold plate over Nickel plate.
6. ELECTRIC LIFE: 30,000 make-and-break cycles at full load.
7. INSULATION RESISTANCE: 1,000 M ohm min.
8. DIELECTRIC STRENGTH: 1,000 V RMS @sea level.
9. OPERATING TEMP.: -30°C to 85°C

E-SWITCH®

C	13412	CORRECT ACTUATOR LENGTH	8/29/03	AR
B	12325	REVISED AND REDRAWN	7/23/02	CJB
REV.	ECN No.	DESCRIPTION	DATE	CHKD

TITLE	200 MSP-1 T3 B2 M6 R E (GOLD CONTACTS)			
SCALE	2:1	DATE	7/23/02	DR
			CJB	DWG
			T211021	REV
				C

THE INFORMATION CONTAINED IN THIS DOCUMENT IS PROPRIETARY TO E-SWITCH AND IS NOT TO BE COPIED OR TRANSFERRED