

## Excellent Integrated System Limited

Stocking Distributor

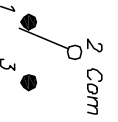
Click to view price, real time Inventory, Delivery & Lifecycle Information:

[E-Switch](#)  
[200MSP1T3B3M7RE](#)

For any questions, you can email us directly:

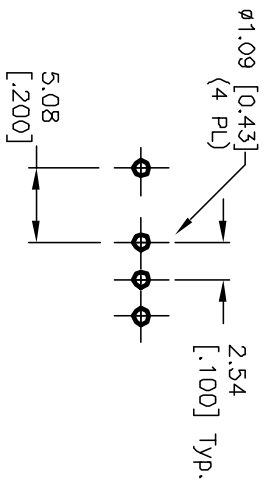
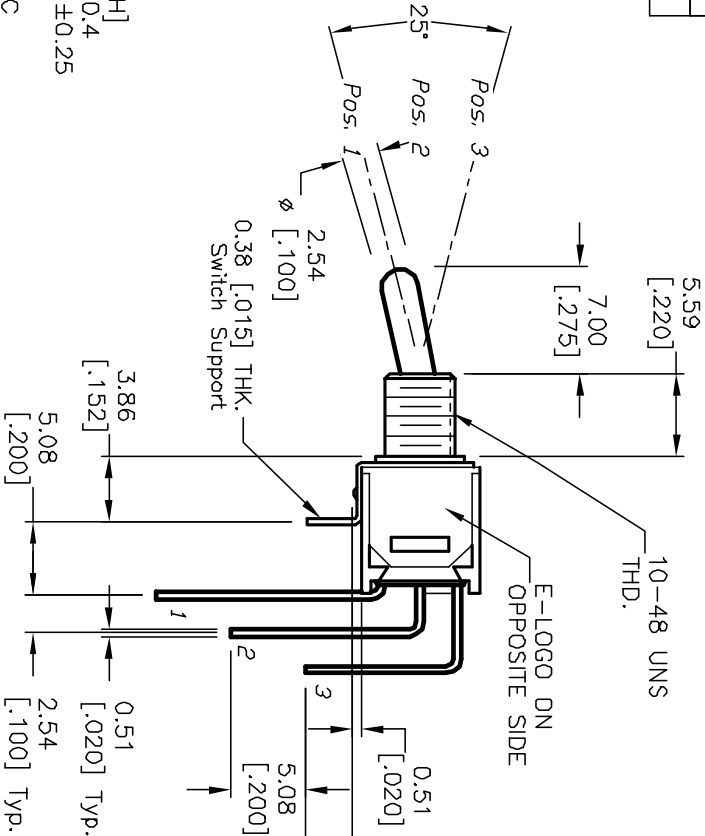
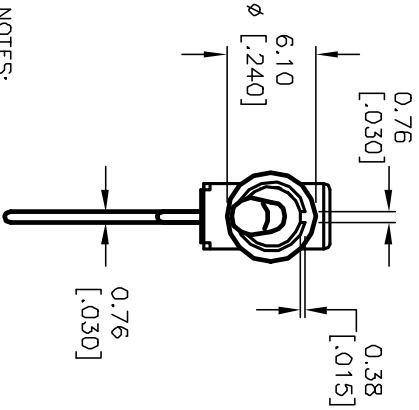
[sales@integrated-circuit.com](mailto:sales@integrated-circuit.com)

SHEET OF

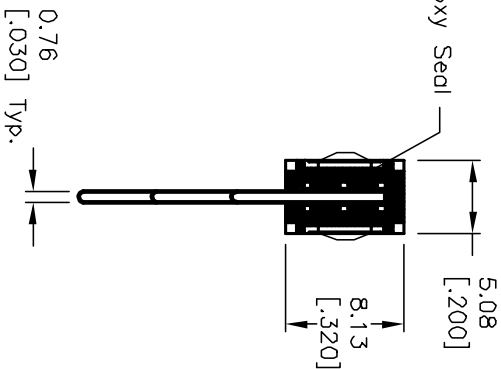


CIRCUIT: SPDT  
 CONTACT CONFIGURATION

SWITCH FUNCTION		
POS. 1	POS. 2	POS. 3
DN	NONE	DN
2-3	OPEN	2-1



RECOMMENDED P.C.B. LAYOUT



NOTES:

1. ALL DIMENSIONS IN MM [INCH]
2. GENERAL TOLERANCE: X.X=±0.4 X.XX=±0.25
3. TERM. NOS. FOR REF. ONLY
4. RATING: 0.4VA @20VAC or DC
5. FIXED TERM. MOVING CONTACT:  
Copper Alloy w/GOLD plating over Nickel plate.
6. ELECTRICAL LIFE: 30,000 make-and-break cycle at full load.
7. DIELECTRIC STRENGTH: 1,000 V RMS @sea level.
8. OPERATING TEMP.: -30°C to 85°C
9. ▲ DESIGNATE MAJOR FEATURE:

REV.	ECN No.	DESCRIPTION	DATE	CHKD
B	I2110	REVISED AND REDRAWN	5/3/02	CJB
		DE-SCRIPTION		CHKD

TITLE	SCALE	DATE	DR	DWG	REV
200 MSP-1 T3 B3 M7 R E (GOLD CONTACTS)	2:1	5/3/02	CJB	T211004	B

**E-SWITCH®**

THE INFORMATION CONTAINED IN THIS DOCUMENT IS PROPRIETARY TO E-SWITCH AND IS NOT TO BE COPIED OR TRANSMITTED.