

Excellent Integrated System Limited

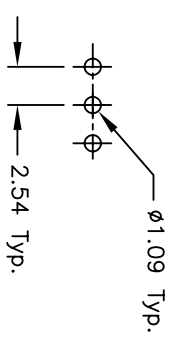
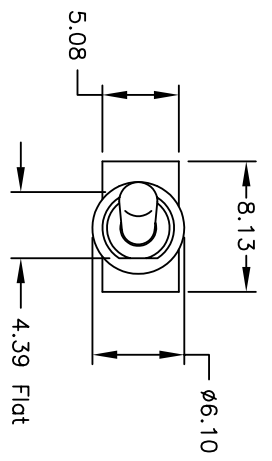
Stocking Distributor

Click to view price, real time Inventory, Delivery & Lifecycle Information:

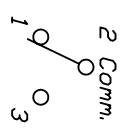
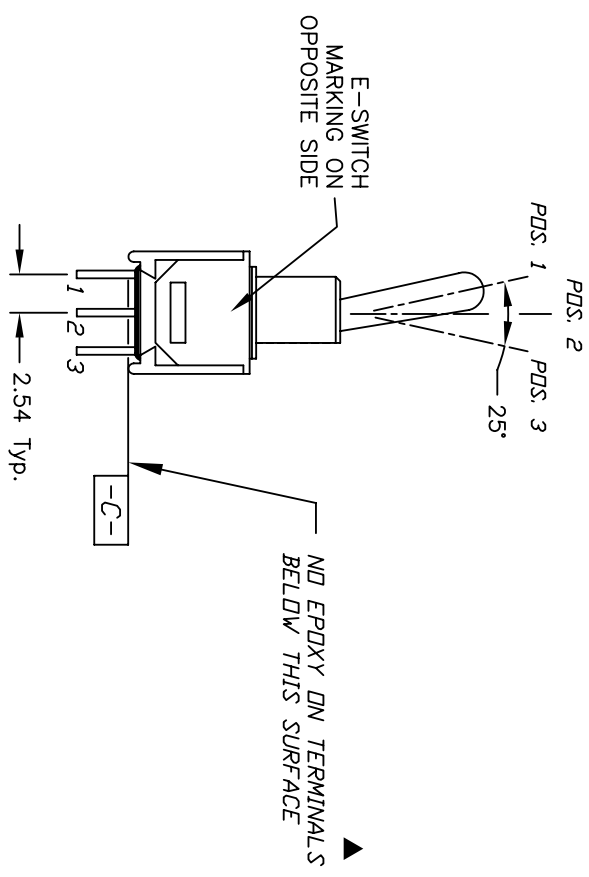
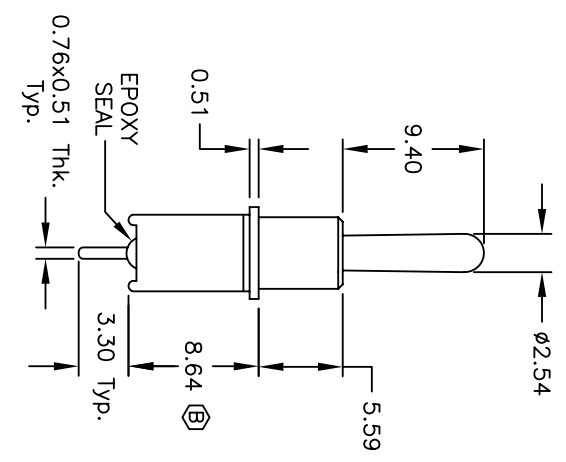
[E-Switch](#)
[200MSP3T1B2M2RE](#)

For any questions, you can email us directly:

sales@integrated-circuit.com



RECOMMEND P.C.B. LAYOUT



CIRCUIT: SPDT
 CONTACT CONFIGURATION

SWITCH FUNCTION			
PDS. 1	PDS. 2	PDS. 3	
DN	OFF	DN	
2-3	OPEN	2-1	

- NOTES:
1. ALL DIMENSIONS IN MM
 2. GENERAL TOLERANCE: 0.0=±0.4
0.00=±0.25
 3. TERM. NOS. FOR REF. ONLY
 4. CONTACT RATING: 0.4 (VA) max. @20 VAC or DC max.
 5. FIXED TERMINAL & MOVING CONTACT: Cu alloy w/ Au plate over Ni plate.
 6. ELECTRIC LIFE: 50,000 make-and-break cycles at full load.
 7. INSULATION RESISTANCE: 1,000 M ohm min.
 8. DIELECTRIC STRENGTH: 1,000 V RMS @sea level.
 9. OPERATING TEMP.: -30°C to 85°C
 10. 2002/95/EC (ROHS) COMPLIANT

REV.	ECN No.	DESCRIPTION	DATE	CHKD
B	18459	DIM CHANGED (WAS 8.80)	3/20/09	BLR
A	10278	RELEASED FOR PRODUCTION		

TITLE		SCALE		DATE		DR		DWG		REV	
200 MSP-3 T1 B2 M2 R E		2:1		3/20/09		BLR		T212011		B	

THE INFORMATION CONTAINED IN THIS DOCUMENT IS PROPRIETARY TO E-SWITCH AND IS NOT TO BE COPIED OR TRANSFERRED