

Excellent Integrated System Limited

Stocking Distributor

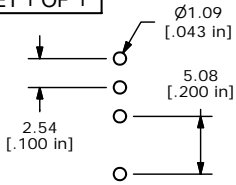
Click to view price, real time Inventory, Delivery & Lifecycle Information:

[E-Switch](#)
[200MSP3T1B3M7REH](#)

For any questions, you can email us directly:

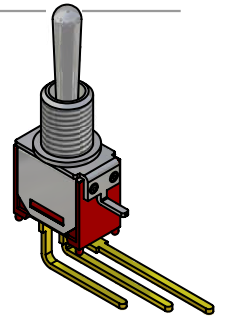
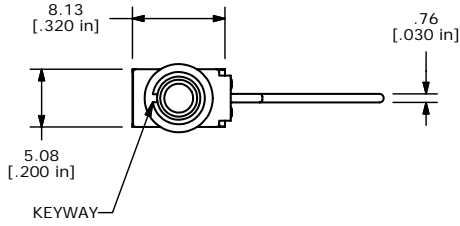
sales@integrated-circuit.com

SHEET 1 OF 1

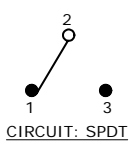


PC MOUNTING

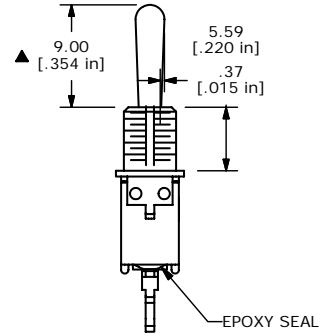
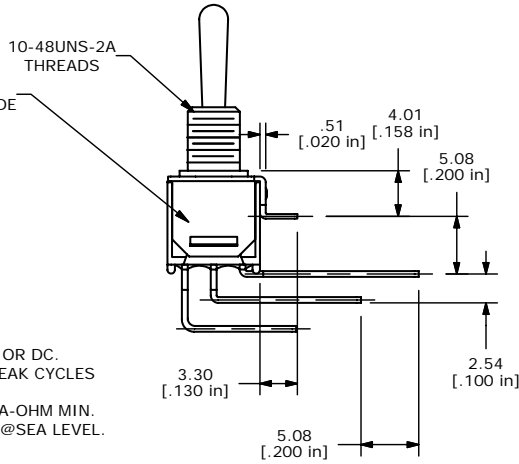
SWITCH FUNCTION		
POS. 1	POS. 2	POS. 3
ON	OFF	ON
2-3	OPEN	2-1



ISOMETRIC



E-LOGO ON OPPOSITE SIDE



- NOTE:
1. ALL DIMENSIONS IN MM [INCH]
 2. GENERAL TOLERANCE: X.X=±0.4
X.XX=±0.25
 3. TERMINAL NUMBERS FOR REF ONLY
 4. PLATING MATERIAL: GOLD
 - ▲ 5. RATING: 0.4VA MAX. OR 20V MAX. AC OR DC.
 6. ELECTRIC LIFE: 30,000 MAKE-AND-BREAK CYCLES AT FULL LOAD.
 7. INSULATION RESISTANCE: 1,000 MEGA-OHM MIN.
 8. DIELECTRIC STRENGTH: 1,000 V RMS @SEA LEVEL.
 9. OPERATING TEMP.: -30°C to 85°C
 10. 2002/95/EC (ROHS) COMPLIANT
 11. ▲ DENOTES CRITICAL PARAMETER.
 12. HARDWARE TO BE SUPPLIED IN BULK:
 T200000-LOCK WASHER QTY. 1
 T200003-LOCK RING QTY. 1
 T200001-HEX NUT QTY. 2



TITLE 200MSP3T1B3M7RE

A	15462	RELEASED FOR PRODUCTION	10/27/05	PH
REV	PCR NO	DESCRIPTION	DATE	BY

THE INFORMATION CONTAINED IN THIS DOCUMENT IS PROPRIETARY TO E-SWITCH AND IS NOT TO BE COPIED OR TRANSFERRED

SCALE 2:1	DATE 10/27/2005	DR PH	DWG ST211095	REV A
-----------	-----------------	-------	--------------	-------