

Excellent Integrated System Limited

Stocking Distributor

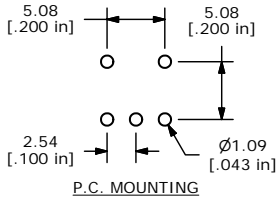
Click to view price, real time Inventory, Delivery & Lifecycle Information:

[E-Switch](#)
[200MSP3T4B5M6RE](#)

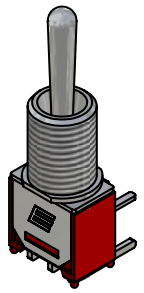
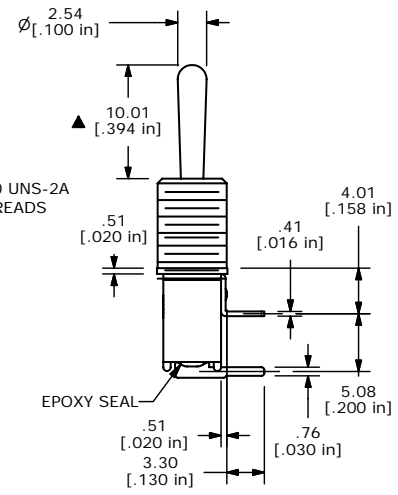
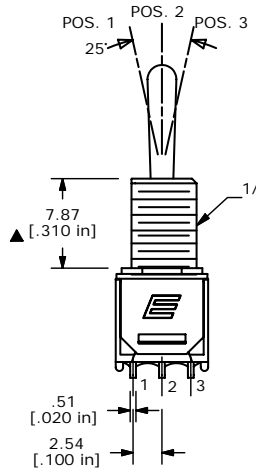
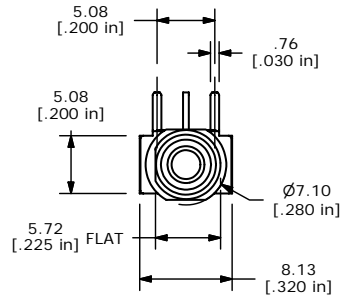
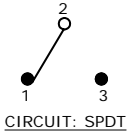
For any questions, you can email us directly:

sales@integrated-circuit.com

SHEET 1 OF 1



SWITCH FUNCTION		
POS. 1	POS. 2	POS. 3
ON	OFF	ON
2-3	OPEN	2-1



ISOMETRIC

- NOTE:
- ALL DIMENSIONS IN MM [INCH]
 - GENERAL TOLERANCE: X.X=±0.4
X.XX=±0.25
 - TERMINAL NUMBERS FOR REF ONLY
 - PLATING MATERIAL: GOLD
 - RATING: 0.4VOLT-AMPS MAX. @20V MAX. AC OR DC
 - ELECTRIC LIFE: 30,000 MAKE-AND-BREAK CYCLES AT FULL LOAD.
 - INSULATION RESISTANCE: 1,000 MEGA-OHM MIN.
 - DIELECTRIC STRENGTH: 1,000 V RMS @SEA LEVEL.
 - OPERATING TEMP.: -30°C to 85°C
 - ▲ DENOTES CRITICAL PARAMETER.

F	15547	CHANGED DIME FROM 10.41 TO 10.01	11/18/05	PH
E	15460	CHANGED DIME TO 10.41 FROM 10.01	10/26/05	PH
D	14746	REVISED AND REDRAWN	3/14/05	AR
REV	PCR NO	DESCRIPTION	DATE	BY

E-SWITCH®

TITLE 200MSP3T4B5M6RE

SCALE 2:1 DATE 8/11/2000 DR GLG DWG T212019 REV F

THE INFORMATION CONTAINED IN THIS DOCUMENT IS PROPRIETARY TO E-SWITCH AND IS NOT TO BE COPIED OR TRANSFERRED