

Excellent Integrated System Limited

Stocking Distributor

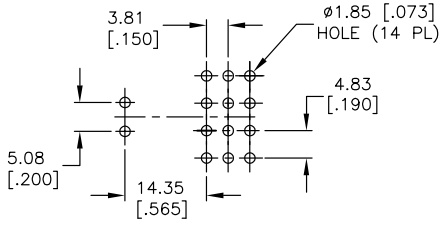
Click to view price, real time Inventory, Delivery & Lifecycle Information:

[E-Switch](#)
[3004P1J3BLKM7QE](#)

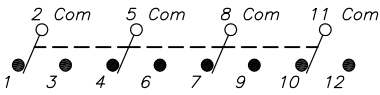
For any questions, you can email us directly:

sales@integrated-circuit.com

SHEET 1 OF 1



RECOMMENDED P.C.B. LAYOUT
SCALE 1X

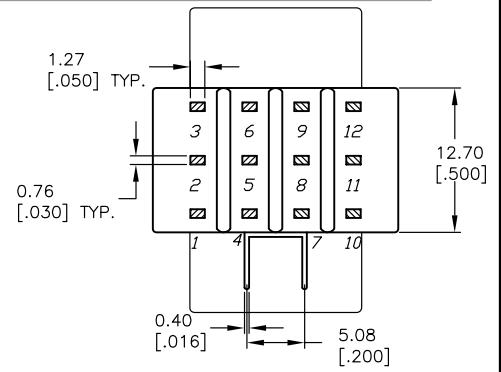
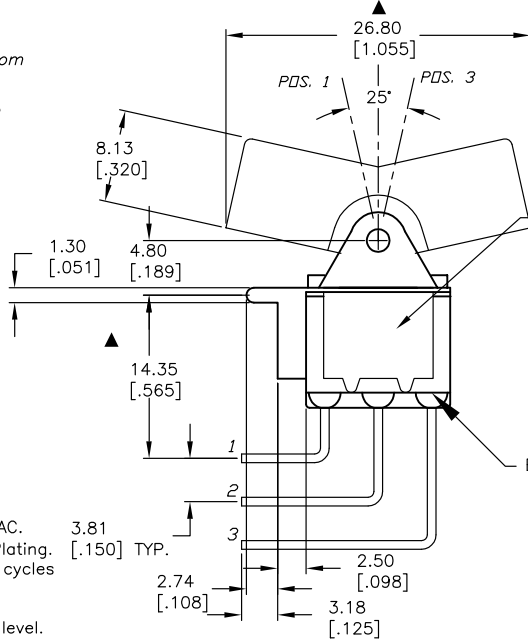
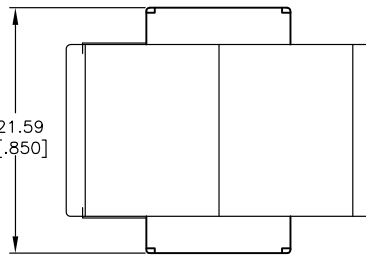


CIRCUIT: 4PDT

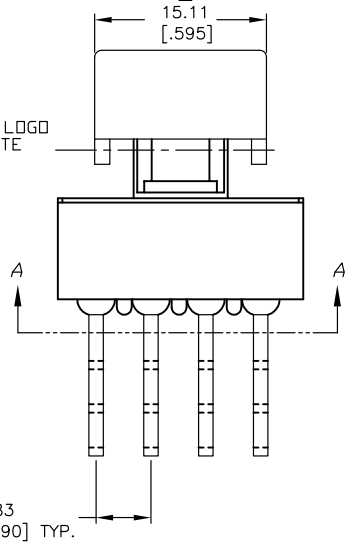
SWITCH FUNCTION		
POS. 1	POS. 2	POS. 3
ON	NONE	ON
2-3,5-6 8-9,11-12	OPEN	2-1, 5-4 8,7 11-10

NOTES:

- ALL DIMENSIONS IN MM [INCH]
- GENERAL TOLERANCE: X.X=±0.4
X.XX=±0.25
- TERM. NOS. FOR REF. ONLY
- RATING: 5A @120VAC or 28VDC; 2A @250VAC.
- CONTACT MATERIAL: Copper Alloy w/Silver Plating.
- ELECTRICAL LIFE: 50,000 make-and-break cycles at full load.
- INSULATION RESISTANCE: 1,000M ohm min.
- DIELECTRIC STRENGTH: 1,000 V RMS @sea level.
- OPERATING TEMP.: -30°C to 85°C
- ▲ DENOTES CRITICAL PARAMETER.



SECTION A-A



E-SWITCH LOGO
ON OPPOSITE

E-SWITCH®

A	14091	RELEASED FOR PRODUCTION	6/11/04	AR
REV.	ECN No.	DESCRIPTION	DATE	CHKD

TITLE				
3004P1J3BLKM7QE				
SCALE	DATE	DR	DWG	REV
2:1	6/11/04	AR	T346010	A

THE INFORMATION CONTAINED IN THIS DOCUMENT IS PROPRIETARY TO E-SWITCH AND IS NOT TO BE COPIED OR TRANSFERRED