

Excellent Integrated System Limited

Stocking Distributor

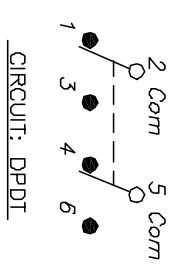
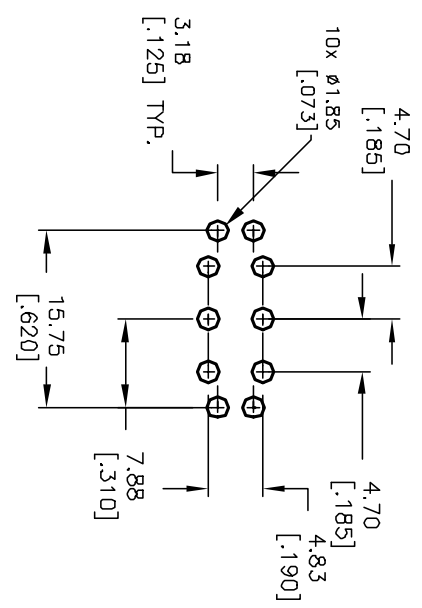
Click to view price, real time Inventory, Delivery & Lifecycle Information:

[E-Switch](#)
[300AWDP1J1VS2QE](#)

For any questions, you can email us directly:

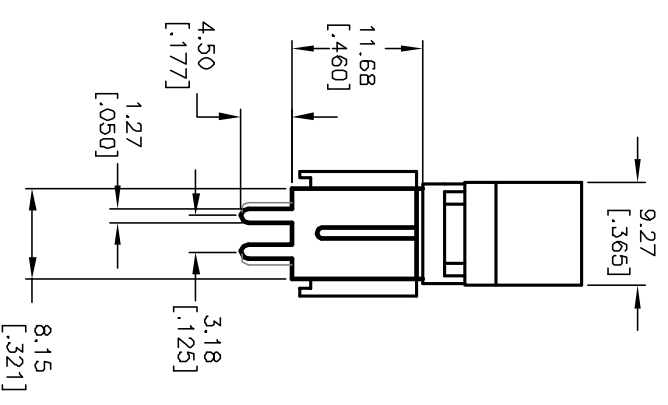
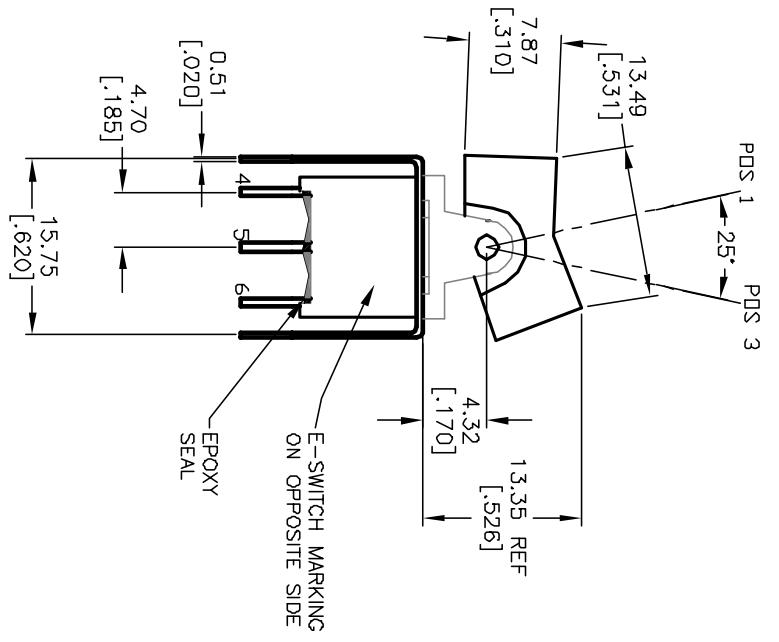
sales@integrated-circuit.com

SHEET OF

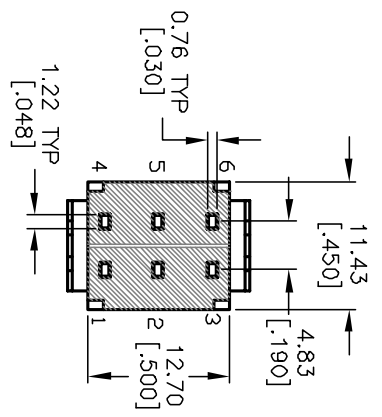


NOTES:

1. ALL DIMENSIONS IN MM [INCH]
2. GENERAL TOLERANCE: X.X=±0.4 X.XX=±0.25
3. TERM. NOS. FOR REF. ONLY
4. RATING: 5A @120V AC or 28VDC; 2A @250V AC
5. FIXED TERMINAL & MOVING CONTACT:
Copper Alloy w/ Silver plating
6. CONTACT RESISTANCE: 10mILLI Ohms max initial @2-4VDC, 100mA for AG & AU cycles at full load.
7. ELECTRICAL LIFE: 30,000 make-and-break cycles at full load.
8. INSULATION RESISTANCE: 1,000M ohm min.
9. DIELECTRIC STRENGTH: 1000V RMS @sea level
10. OPERATING TEMP.: -30°C to 85°C
11. ROCKER: STD BLACK (UL94HB)



SWITCH FUNCTION			
PDS 1	PDS 2	PDS 3	
DN	NDNE	DN	
2-3, 5-6	OPEN	2-1, 5-4	



REV. A	12569	RELEASED FOR PRODUCTION	11/18/02	CB
ECN No.		DESCRIPTION	DATE	CHKD

TITLE	300A WDP1 J1 VS2 Q E
SCALE	1.5:1
DATE	11/15/02
DR	CJB
DWG	T301030
REV	A

E-SWITCH®

THE INFORMATION CONTAINED IN THIS DOCUMENT IS PROPRIETARY TO E-SWITCH AND IS NOT TO BE COPIED OR TRANSMITTED