

Excellent Integrated System Limited

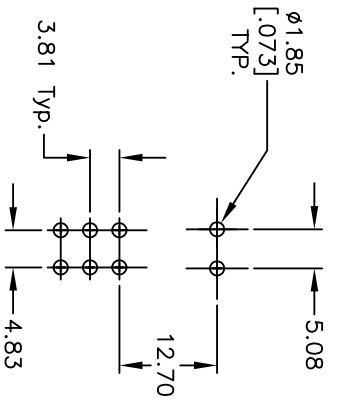
Stocking Distributor

Click to view price, real time Inventory, Delivery & Lifecycle Information:

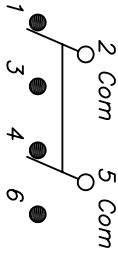
[E-Switch](#)
[300AWDP2J1BLKM7RE](#)

For any questions, you can email us directly:

sales@integrated-circuit.com



RECOMMENDED P.C.B. LAYOUT
NOT TO SCALE



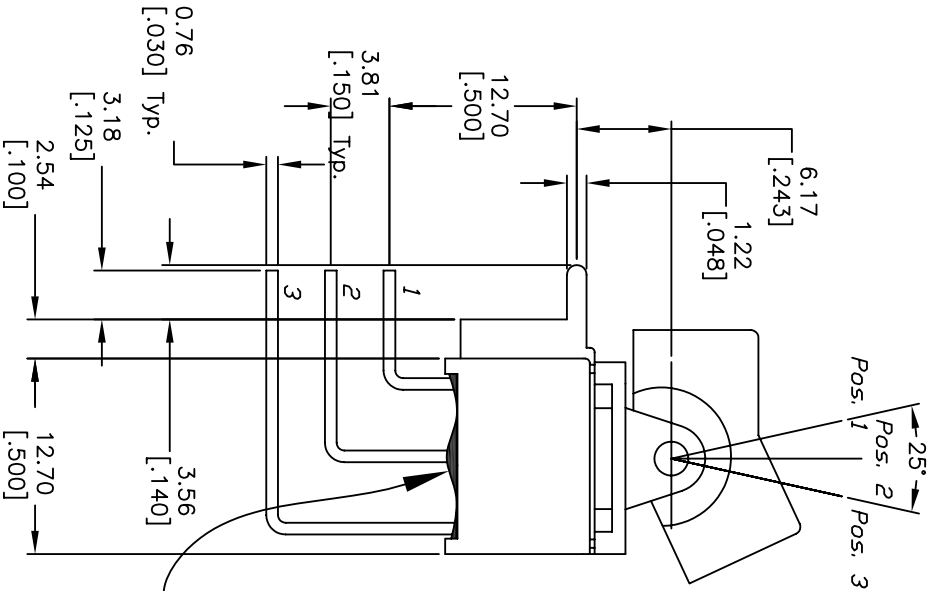
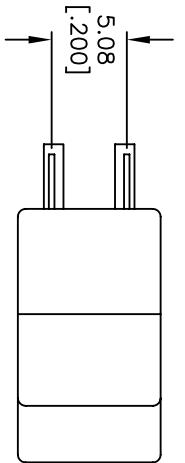
CIRCUIT: 2PDT

SWITCH FUNCTION		
PDS. 1	PDS. 2	PDS. 3
DN	NONE	(DN)
2-3, 5-6	N/A	2-1, 5-4

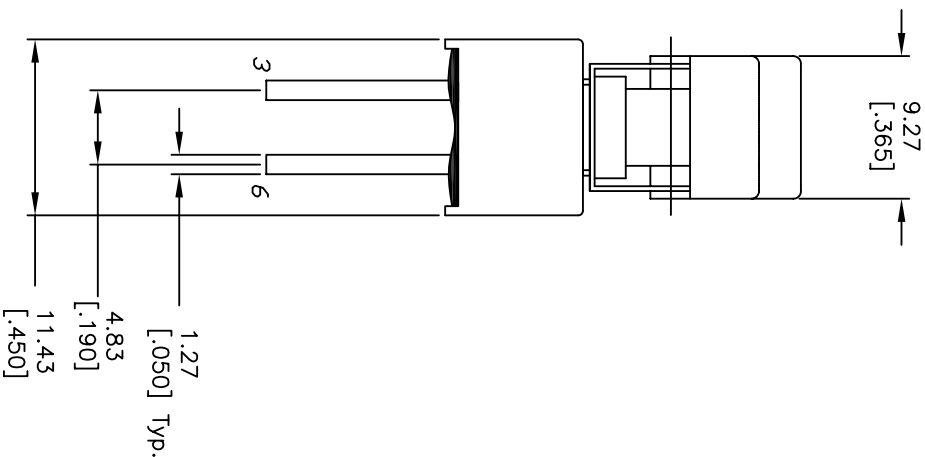
NOTES: MOMENTARY=(ON)

NOTES:

1. ALL DIMENSIONS IN MM [INCH]
2. GENERAL TOLERANCE: X.X=±0.4 X.XX=±0.25
3. TERM. NOS. FOR REFERENCE ONLY.
4. RATING: 5A @120V AC or 28VDC
2A @250V AC
5. FIXED TERMINAL/MOVING CONTACT:
COPPER ALLOY W/SILVER PLATING
6. ELECTRICAL LIFE: 30,000 make & break CYCLES @FULL LOAD.
7. INSULATION RESISTANCE: 1000MEGA-OHMS min.
8. DIELECTRIC STRENGTH: 1000V RMS@ SEA LEVEL
9. OPERATING TEMPERATURE: -30°C to +85°C
10. ROCKER MATERIAL: NYLON BLACK STD. (UL94HB)



Epoxy Seal Base



REV.	ECN No.	DESCRIPTION	DATE	CHKD
A	15176	RELEASED	8/22/05	PH

TITLE	SCALE	DATE	DR	DWG	REV
300A WDP-2 J1 BLK M7 RE	2:1	8/22/2005	PH	T301042	A

E-SWITCH®

THE INFORMATION CONTAINED IN THIS DOCUMENT IS PROPRIETARY TO E-SWITCH AND IS NOT TO BE COPIED OR TRANSFERRED