

Excellent Integrated System Limited

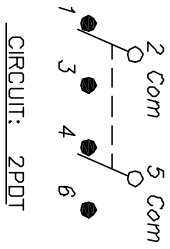
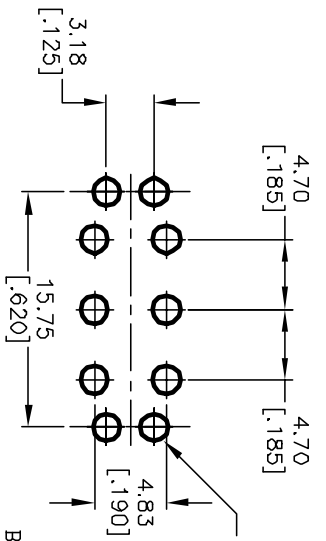
Stocking Distributor

Click to view price, real time Inventory, Delivery & Lifecycle Information:

[E-Switch](#)
[300AWDP3J1VS2QE](#)

For any questions, you can email us directly:

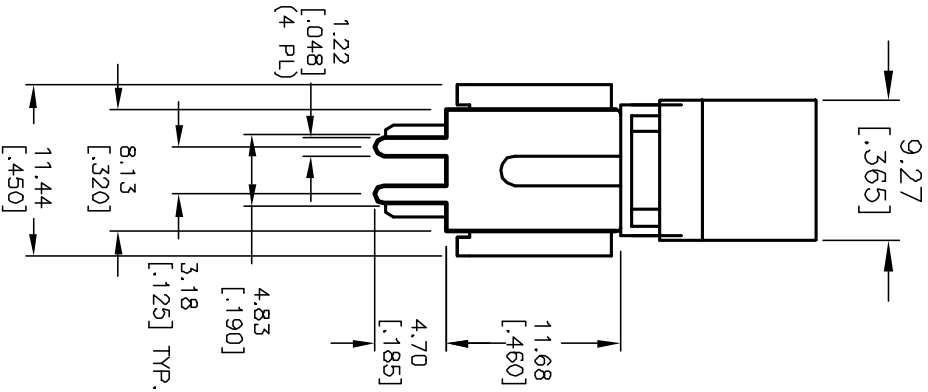
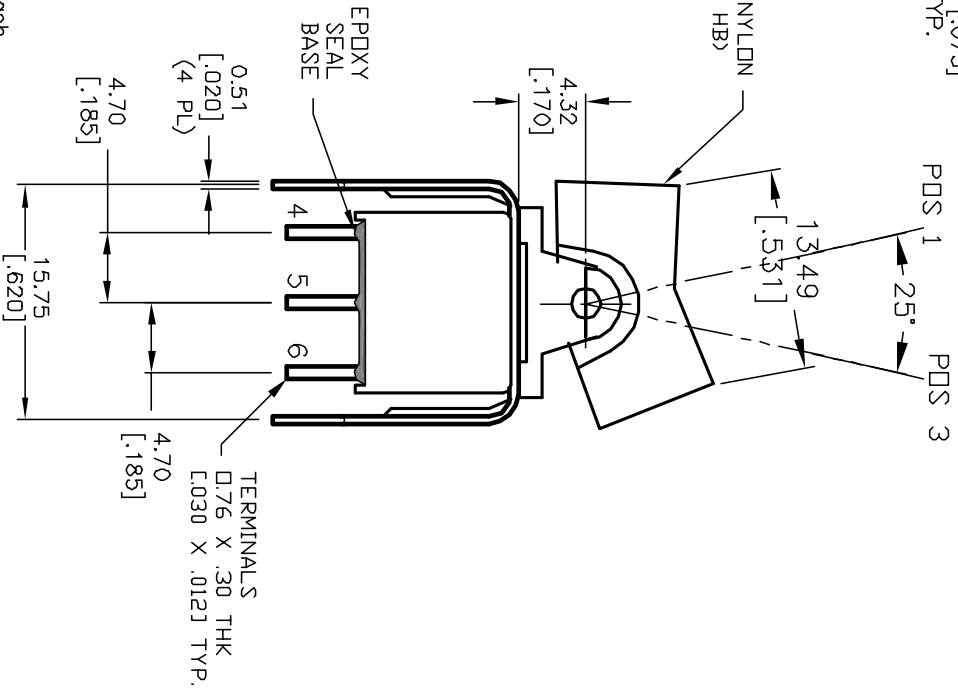
sales@integrated-circuit.com



SWITCH FUNCTION			
PDS 1	PDS 2	PDS 3	
DN	OFF	DN	
2-3-5-6	DPEN	2-1-5-4	

NOTES:

1. ALL DIMENSIONS IN MM [INCH]
2. GENERAL TOLERANCE: X.X=±0.4
X.XX=±0.25
3. TERM. NOS. FOR REF. ONLY
4. RATING: 5A @120VAC OR 28VDC;
2A @250VAC
5. MATERIAL: FIXED TERMINAL & MOVING CONTACT
Copper Alloy w/SILVER PLATE over Gold flash.
6. CONTACT RESISTANCE: 10mILLI Ohms max initial
@2-4VDC, 100mA for AG & AU
7. ELECTRICAL LIFE: 30,000 make-and-break
cycles at full load.
8. INSULATION RESISTANCE: 1,000M ohm min.
9. DIELECTRIC STRENGTH: 1000V RMS @sea level
10. OPERATING TEMP.: -30°C to 85°C



E-SWITCH®

300A WDP-3 J1 VS2 Q E

REV.	ECN NO.	DESCRIPTION	DATE	CHKD
A	12454	RELEASED FOR PRODUCTION	9/30/02	CJB

TITLE	SCALE	DATE	DR	DWG	REV
300A WDP-3 J1 VS2 Q E	2:1	9/30/02	CJB	T302112	A

THE INFORMATION CONTAINED IN THIS DOCUMENT IS PROPRIETARY TO E-SWITCH AND IS NOT TO BE COPIED OR TRANSMITTED