

Excellent Integrated System Limited

Stocking Distributor

Click to view price, real time Inventory, Delivery & Lifecycle Information:

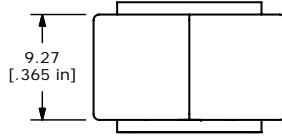
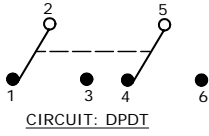
[E-Switch](#)
[300AWDP4J1REDVS2QE](#)

For any questions, you can email us directly:
sales@integrated-circuit.com

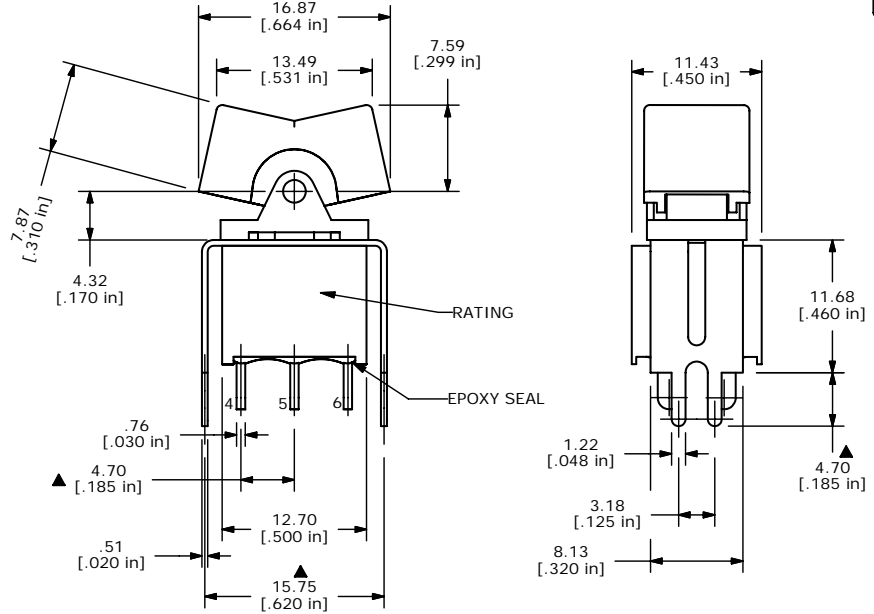
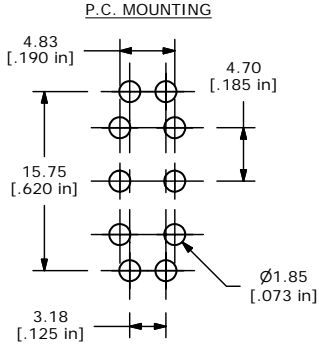
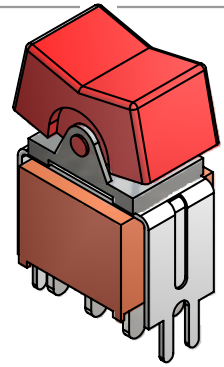
SHEET 1 OF 1

| SWITCH FUNCTION | | |
|-----------------|--------|----------|
| POS. 1 | POS. 2 | POS. 3 |
| | | |
| (ON) | OFF | (ON) |
| 2-3, 5-6 | OPEN | 2-1, 5-4 |

(ON)=MOMENTARY



RED COLORED ACTUATOR



- NOTE:
1. ALL DIMENSIONS IN MM [INCH]
 2. GENERAL TOLERANCE: X.X=±0.4 X.XX=±0.25
 3. TERMINAL NUMBERS FOR REF ONLY
 - ▲ 4. PLATING MATERIAL: SILVER
 5. RATING: 5 AMPS @ 120VAC OR 28VDC
2 AMPS @ 250VAC
 6. ELECTRIC LIFE: 30,000 MAKE-AND-BREAK CYCLES AT FULL LOAD.
 7. INSULATION RESISTANCE: 1,000 MEGA-OHM MIN.
 8. DIELECTRIC STRENGTH: 1,000 V RMS @SEA LEVEL.
 9. OPERATING TEMP.: -30°C to 85°C
 10. ▲ DENOTES CRITICAL PARAMETER.
 11. 2002/95/EC (ROHS) COMPLIANT.

E-SWITCH®

| | | | | |
|-----|--------|-------------------------|---------|----|
| A | 16292 | RELEASED FOR PRODUCTION | 8/10/06 | BO |
| REV | PCR NO | DESCRIPTION | DATE | BY |

THE INFORMATION CONTAINED IN THIS DOCUMENT IS PROPRIETARY TO E-SWITCH AND IS NOT TO BE COPIED OR TRANSFERRED

| | | | | |
|--------------------------|----------------|-------|-------------|-------|
| TITLE 300AWDP4J1REDVS2QE | | | | |
| SCALE 2:1 | DATE 8/10/2006 | DR BO | DWG T302001 | REV A |