

Excellent Integrated System Limited

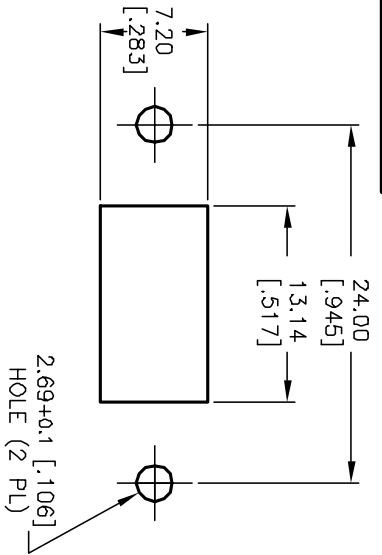
Stocking Distributor

Click to view price, real time Inventory, Delivery & Lifecycle Information:

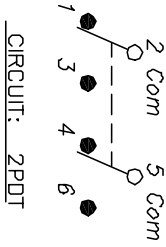
[E-Switch](#)
[300AWDP4R1M1RE](#)

For any questions, you can email us directly:
sales@integrated-circuit.com

SHEET OF



RECOMMENDED PANEL MOUNT

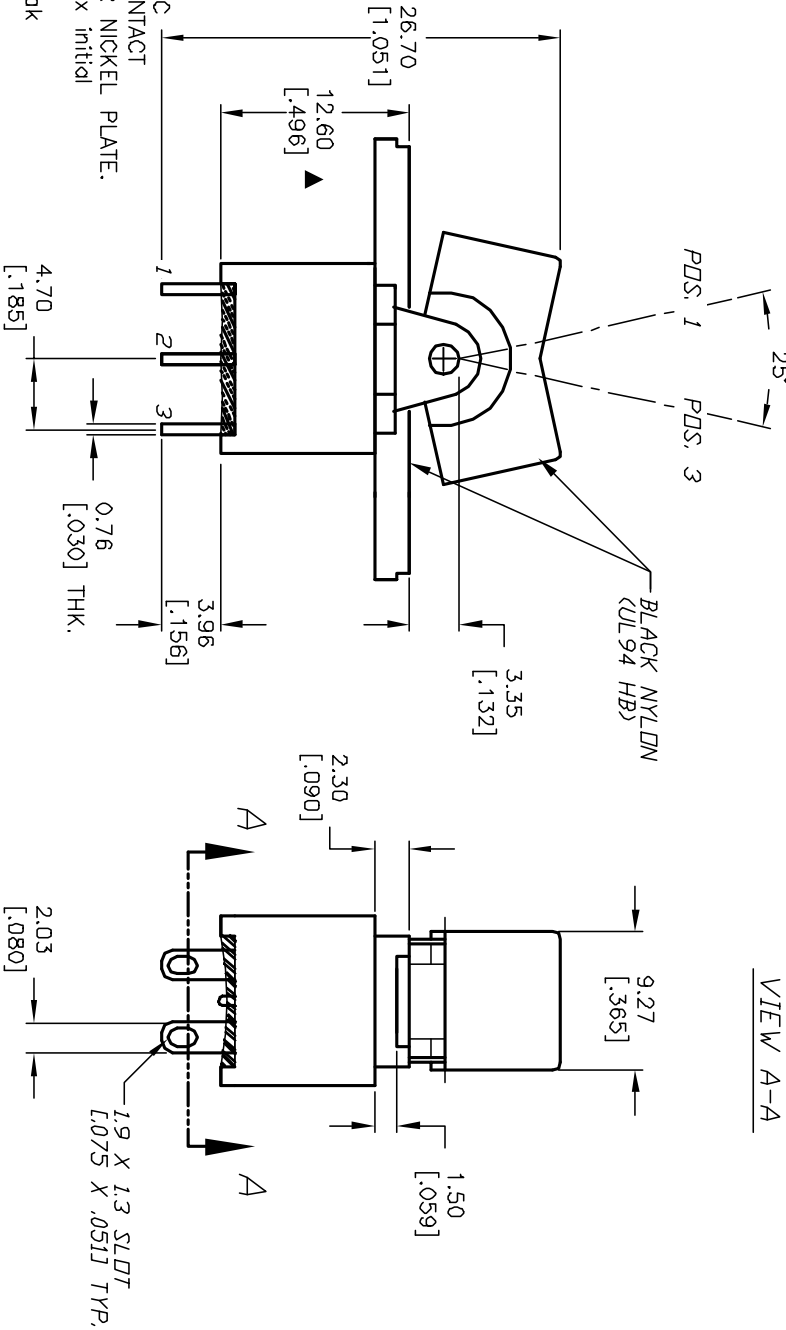
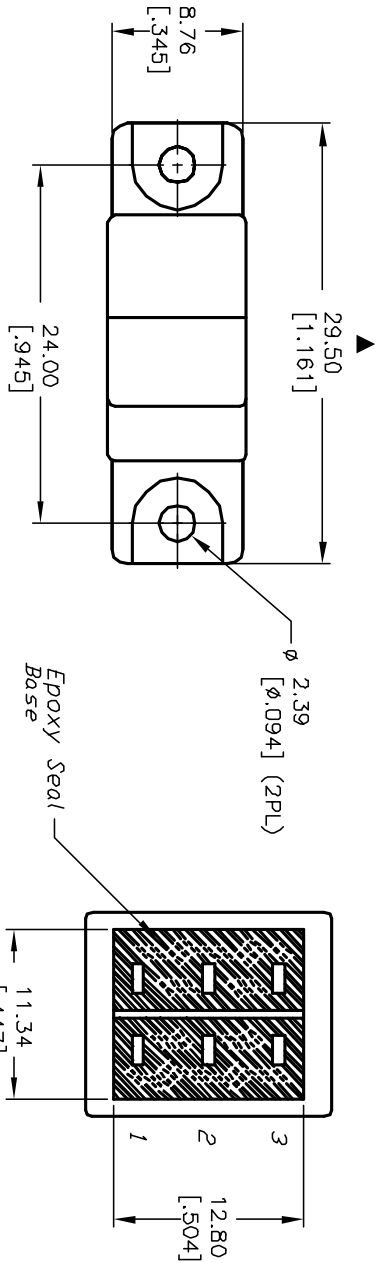


SWITCH FUNCTION		
PDS. 1	PDS. 2	PDS. 3
<DN >	DEF	<DN >
2-3-5-6	DPEN	2-1-5-4

NOTES:

() =MDMENTARY

1. ALL DIMENSIONS IN MM [INCH]
2. GENERAL TOLERANCE: X.X=±0.4 X.XX=±0.25
3. TERM. NOS. FOR REF. ONLY
4. RATING: 0.4VAolt-Amps max@20VAC OR DC
5. MATERIAL: FIXED TERMINAL & MOVING CONTACT
Copper Alloy w/GOLD PLATE OVER NICKEL PLATE.
6. CONTACT RESISTANCE: 10mILLI Ohms max initial @2-4VDC, 100mA for AG & AU cycles at full load.
7. ELECTRICAL LIFE: 30,000 moke-and-break cycles at full load.
8. INSULATION RESISTANCE: 1,000M ohm min.
9. DIELECTRIC STRENGTH: 1000V RMS @sea level
10. OPERATING TEMP.: -30°C to 85°C
11. ▲ DENOTES CRITICAL PARAMETER.



REV.	ECN No.	DESCRIPTION	DATE	CHKD
A	13035	RELEASED FOR PRODUCTION	4/10/03	AR

TITLE	SCALE	DATE	DR	DWG	REV
300AWDP4R1M1RE	2:1	4/10/03	AR	T302010	A

E-SWITCH®

THE INFORMATION CONTAINED IN THIS DOCUMENT IS PROPRIETARY TO E-SWITCH AND IS NOT TO BE COPIED OR TRANSMITTED