

## Excellent Integrated System Limited

Stocking Distributor

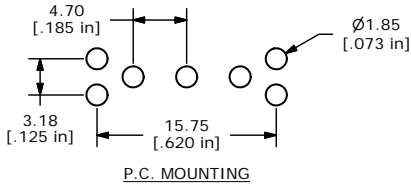
Click to view price, real time Inventory, Delivery & Lifecycle Information:

[E-Switch](#)  
[300AWSP1J1BLKVS3QE](#)

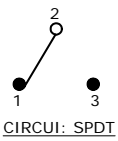
For any questions, you can email us directly:

[sales@integrated-circuit.com](mailto:sales@integrated-circuit.com)

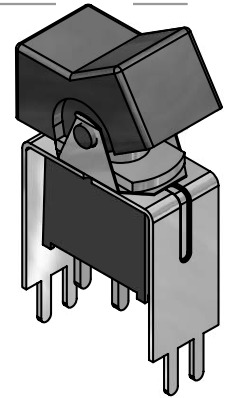
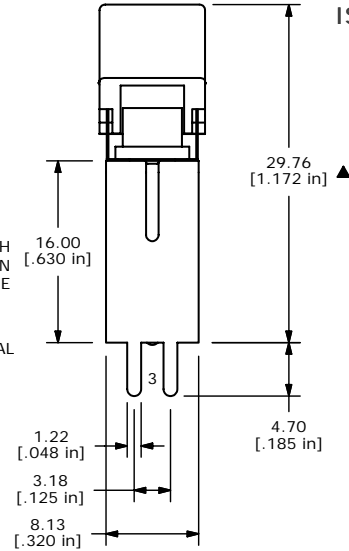
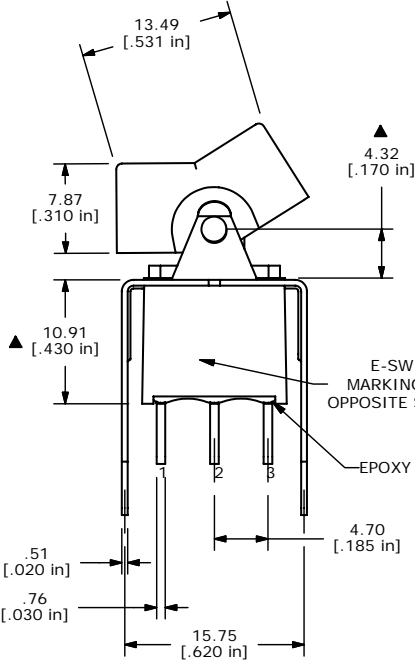
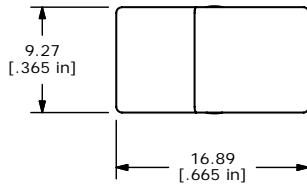
SHEET 1 OF 1



SWITCH FUNCTION		
POS. 1	POS. 2	POS. 3
ON	NONE	ON
2-3	OPEN	2-1



- NOTE:
- ALL DIMENSIONS IN MM [INCH]
  - GENERAL TOLERANCE: X.X=±0.4  
X.XX=±0.25
  - TERMINAL NUMBERS FOR REF ONLY
  - ▲ PLATING MATERIAL: SILVER
  - RATING: 2 AMPS @250VAC  
5 AMPS @120VAC OR 28VDC
  - ELECTRIC LIFE: 30,000 MAKE-AND-BREAK CYCLES AT FULL LOAD.
  - INSULATION RESISTANCE: 1,000 MEGA-OHM MIN.
  - DIELECTRIC STRENGTH: 1,000 V RMS @SEA LEVEL.
  - OPERATING TEMP.: -30°C to 85°C
  - ▲ DENOTES CRITICAL PARAMETER.



ISOMETRIC

**E-SWITCH®**

A	15055	RELEASED FOR PRODUCTION	7/12/05	DM
REV	PCR NO	DESCRIPTION	DATE	BY

THE INFORMATION CONTAINED IN THIS DOCUMENT IS PROPRIETARY TO E-SWITCH AND IS NOT TO BE COPIED OR TRANSFERRED

TITLE 300AWSP1J1BLKVS3QE

SCALE 2:1	DATE 7/12/2005	DR DM	DWG T307003	REV A
-----------	----------------	-------	-------------	-------