

Excellent Integrated System Limited

Stocking Distributor

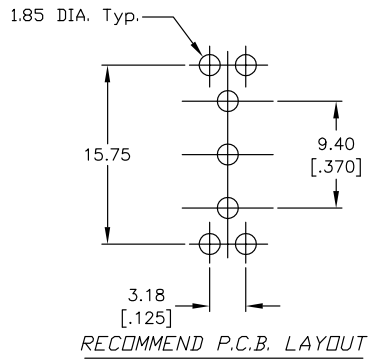
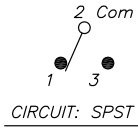
Click to view price, real time Inventory, Delivery & Lifecycle Information:

[E-Switch](#)
[300AWSP1J1VS21RE](#)

For any questions, you can email us directly:

sales@integrated-circuit.com

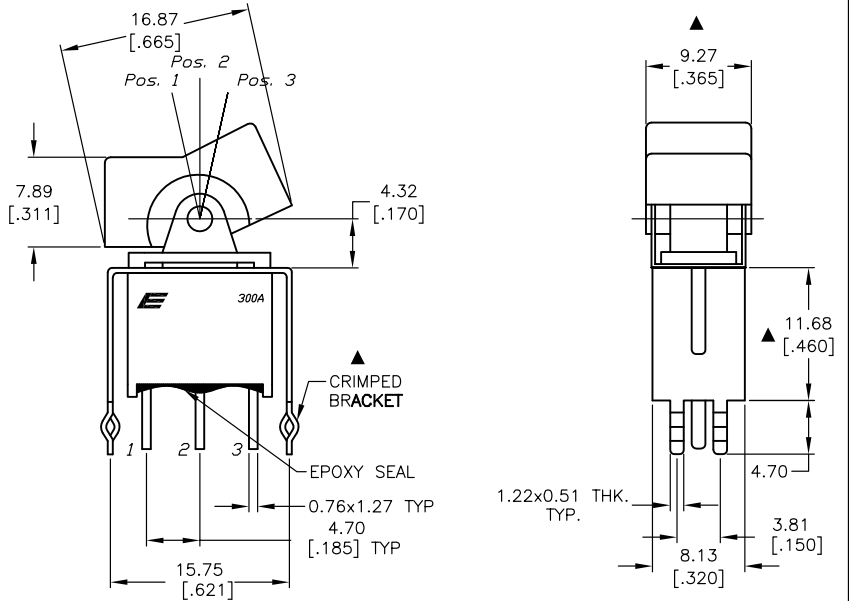
SHEET 1 OF 1



SWITCH FUNCTION		
POS. 1	POS. 2	POS. 3
ON	NONE	ON
2-3	OPEN	2-1

NOTES:

1. ALL DIMENSIONS IN MM [INCH]
2. GENERAL TOLERANCE: X.X=±0.4
X.XX=±0.25
3. TERM. NOS. FOR REF. ONLY
4. RATING: 0.4 VA MAX. @ 20V MAX AC OR DC
5. MATERIAL: FIXED TERMINAL & MOVING CONTACT
COPPER ALLOY W/ GOLD PLATE OVER NICKEL PLATE
6. CONTACT RESISTANCE: 10mILLI Ohms max initial
@2-4VDC, 100mA for AG & AU
7. ELECTRICAL LIFE: 30,000 make-and-break
cycles at full load.
8. INSULATION RESISTANCE: 1,000M ohm min.
9. DIELECTRIC STRENGTH: 1000V RMS @sea level
10. OPERATING TEMP.: -30°C to 85°C
11. ▲ DENOTES CRITICAL PARAMTER.



E-SWITCH®

A	13574	RELEASED FOR PRODUCTION	11/4/03	AR
REV.	ECN No.	DESCRIPTION	DATE	CHKD

TITLE				
300AWSP1J1VS21RE				
SCALE	DATE	DR	DWG	REV
2:1	11/4/03	AR	T301051	A

THE INFORMATION CONTAINED IN THIS DOCUMENT IS PROPRIETARY TO E-SWITCH AND IS NOT TO BE COPIED OR TRANSFERRED