

Excellent Integrated System Limited

Stocking Distributor

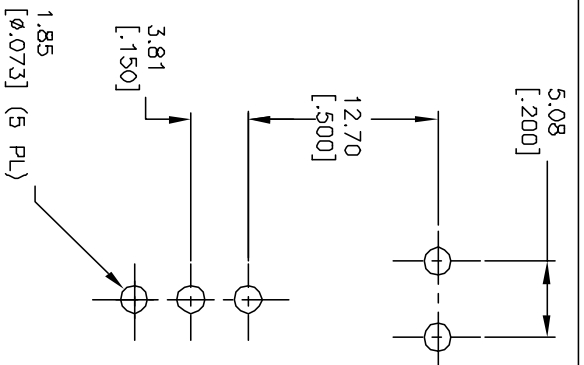
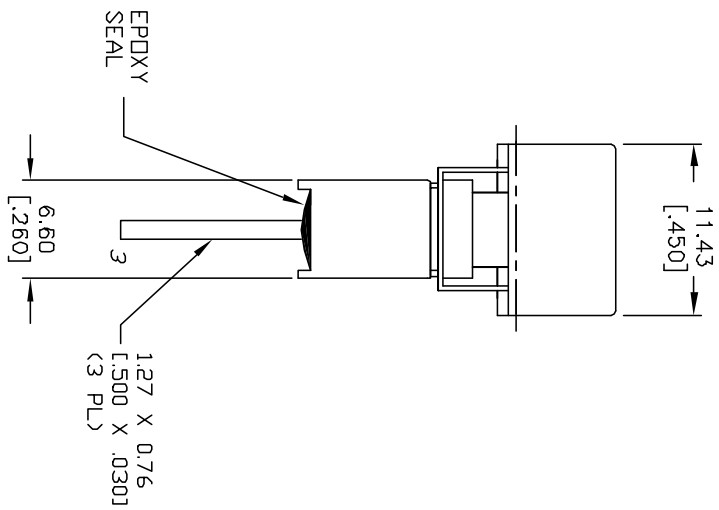
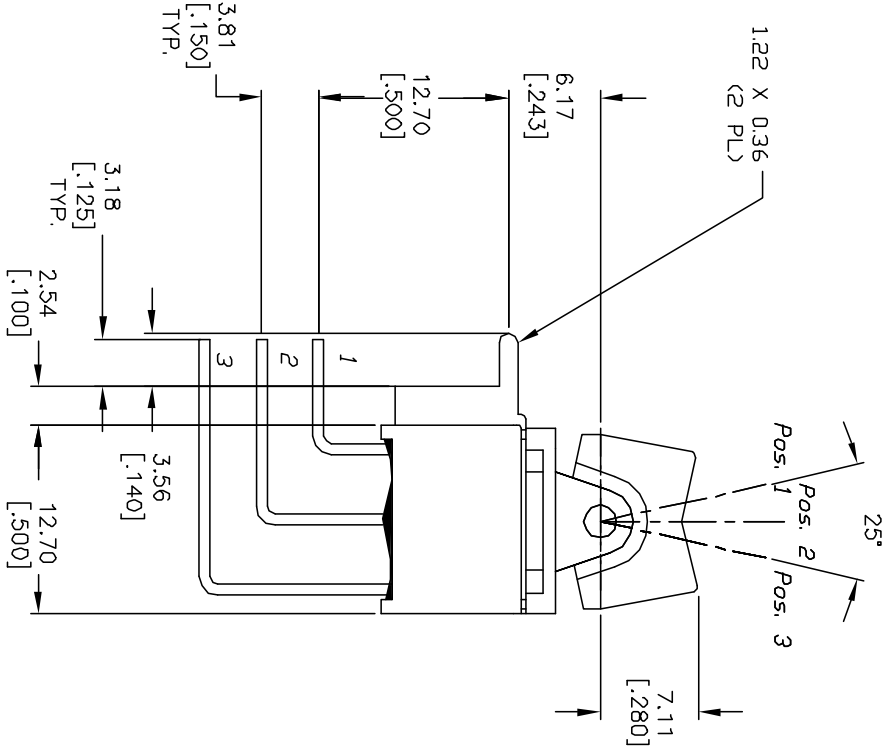
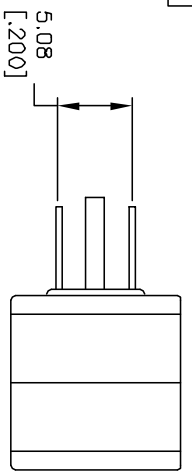
Click to view price, real time Inventory, Delivery & Lifecycle Information:

[E-Switch](#)
[300AWSP1J5M7QE](#)

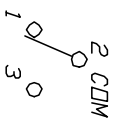
For any questions, you can email us directly:

sales@integrated-circuit.com

SHEET OF



RECOMMEND P.C.B. LAYOUT



CIRCUIT: SPDT

CONTACT CONFIGURATION

SWITCH FUNCTION		
POS. 1	POS. 2	POS. 3
DN	NONE	DN
2-3	OPEN	2-1

NOTES:

1. ALL DIMENSIONS IN MM [INCH]
2. GENERAL TOLERANCE: XX=±0.4
X.XX=±0.25
3. RATINGS: 5A @120VAC or 28VDC, 2A @250VDC

REV.	ECN NO.	DESCRIPTION	DATE	CHKD
A	11089	RELEASED FOR PRODUCTION	12/6/00	CJB
THE INFORMATION CONTAINED IN THIS DOCUMENT IS PROPRIETARY TO E-SWITCH AND IS NOT TO BE COPIED OR TRANSMITTED				

TITLE		300A WSP-1 J5 M7 Q E		
SCALE	DATE	DR	DWG	REV
2:1	12/6/00	CJB	T301023	A

E-SWITCH®