

Excellent Integrated System Limited

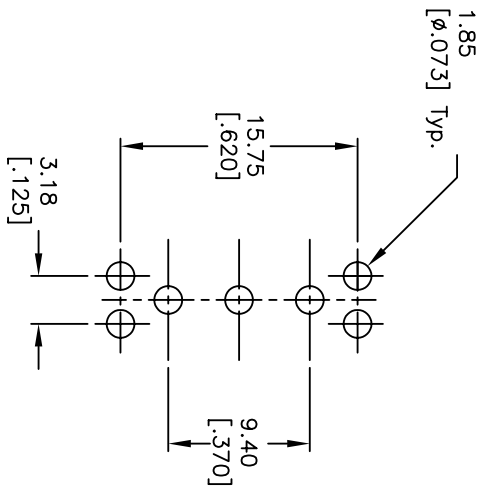
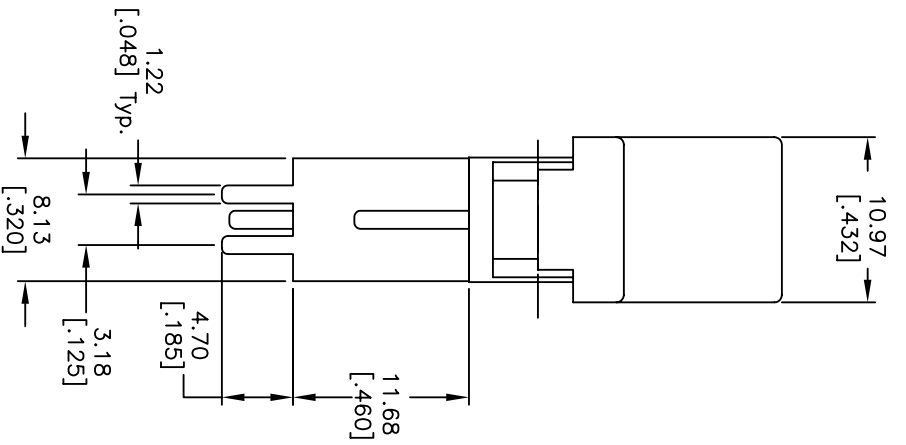
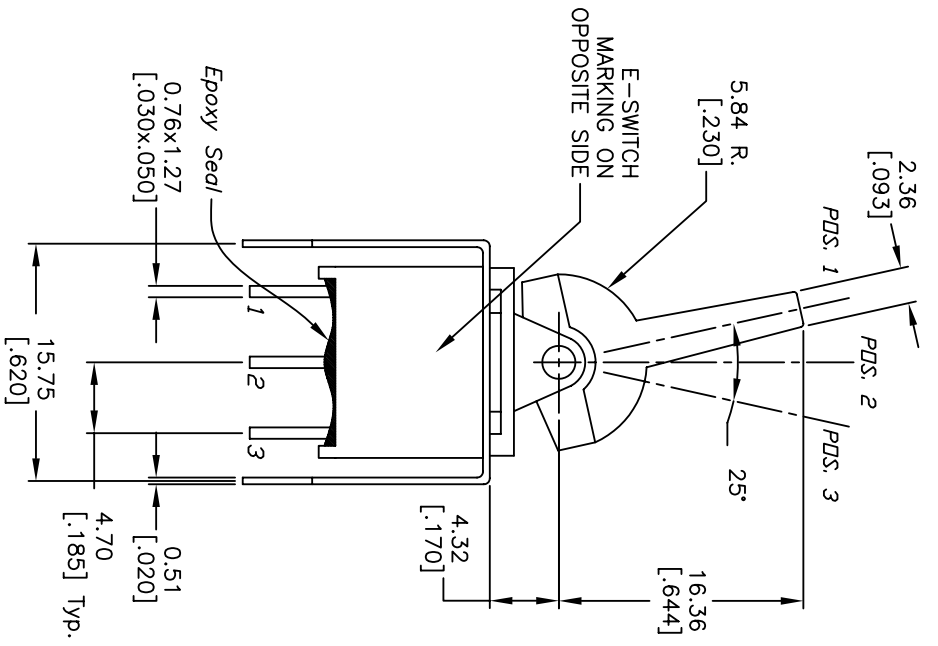
Stocking Distributor

Click to view price, real time Inventory, Delivery & Lifecycle Information:

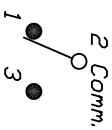
[E-Switch](#)
[300AWSP5J6VS2RE](#)

For any questions, you can email us directly:

sales@integrated-circuit.com



RECOMMEND P.C.B. LAYOUT



CIRCUIT: SPDT

CONTACT CONFIGURATION

SWITCH FUNCTION		
PDS. 1	PDS. 2	PDS. 3
DN	OFF	(DN)
2-3	OPEN	2-1

()=Momentary

NOTES:

1. ALL DIMENSIONS IN MM [INCH]
2. GENERAL TOLERANCE: 0.0=±0.4
0.00=±0.25
3. TERM. NOS. FOR REF. ONLY
4. RATING: 0.4VA Max. @20V Max. (AC or DC)
5. ELECTRICAL LIFE: 30,000 make-and-break cycles at full load.
6. INSULATION RESISTANCE: 1000M ohm min.
7. DIELECTRIC STRENGTH: 1,000 V RMS @sec level.
8. OPERATING TEMP.: -30°C to 85°C

REV.	ECN No.	DESCRIPTION	DATE	CHKD
A	10559	RELEASED FOR PRODUCTION	3/7/00	MM

TITLE	SCALE	DATE	DR	DWG	REV
300A WSP-5 J6 VS2 R E	2:1	3/7/00	MM	T301502	A

THE INFORMATION CONTAINED IN THIS DOCUMENT IS PROPRIETARY TO E-SWITCH AND IS NOT TO BE COPIED OR TRANSFERRED

E-SWITCH®