

Excellent Integrated System Limited

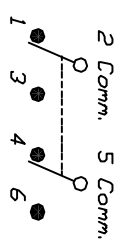
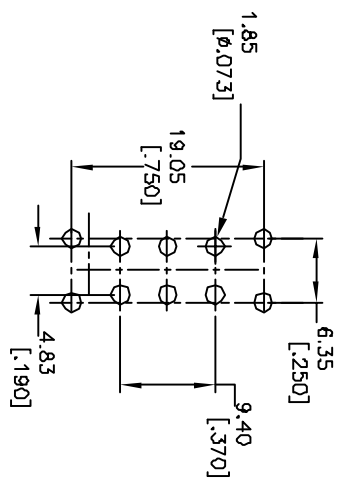
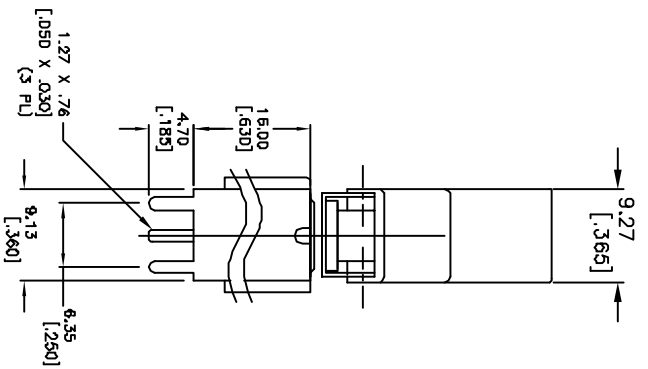
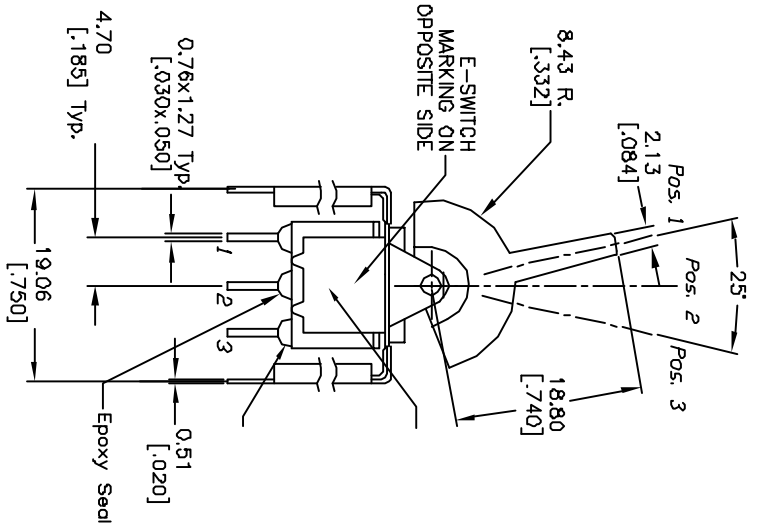
Stocking Distributor

Click to view price, real time Inventory, Delivery & Lifecycle Information:

[E-Switch](#)
[300DP1J2WHTVS5RE](#)

For any questions, you can email us directly:

sales@integrated-circuit.com



▲ SWITCH FUNCTION		
POS. 1	POS. 2	POS. 3
DN	NONE	DN
2-3, 5-6	DPEN	2-1, 5-4

- NOTES:
1. ALL DIMENSIONS IN MM [INCH]
 2. GENERAL TOLERANCE: 0.0=±0.4
0.00=±0.25
 3. TERM. NOS. FOR REF. ONLY
 4. CONTACT RATING: .4VA MAX. 2 20V MAX (AC OR DC)
 5. ELECTRICAL LIFE: 50,000 make-and-break cycles at full load.
 6. INSULATION RESISTANCE: 1,000M Ohms min.
 7. DIELECTRIC STRENGTH: 1,000 V RMS @SEA LEVEL.
 8. OPERATING TEMP.: -30°C to 85°C
 9. ▲ DENOTES CRITICAL PARAMETER.

REV.	ECN No.	DESCRIPTION	DATE	CHKD
A	12805	NEW RELEASE		

THE INFORMATION CONTAINED IN THIS DOCUMENT IS PROPRIETARY TO E-SWITCH AND IS NOT TO BE COPIED OR TRANSFERRED

TITLE		SCALE		DATE		DR		DWG		REV	
300 DP1 J2 WHT VSS R E		1.5:1		2/11/03		RC		T321071		A	

E-SWITCH®