

Excellent Integrated System Limited

Stocking Distributor

Click to view price, real time Inventory, Delivery & Lifecycle Information:

[E-Switch](#)
[300DP2R7BLKM1REBLK](#)

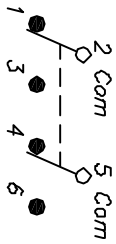
For any questions, you can email us directly:

sales@integrated-circuit.com


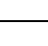

PANEL THICKNESS

1.52 TD 318

▲ * DIMENSION IS 15.75/15.88 FOR PANEL THICKNESS BETWEEN 1.52mm TD 318mm



CIRCUIT: DPDT

POS. 1	POS. 2	POS. 3
		
NO	NONE	(DN)
2-3,5-6	OPEN	2-1,5-4

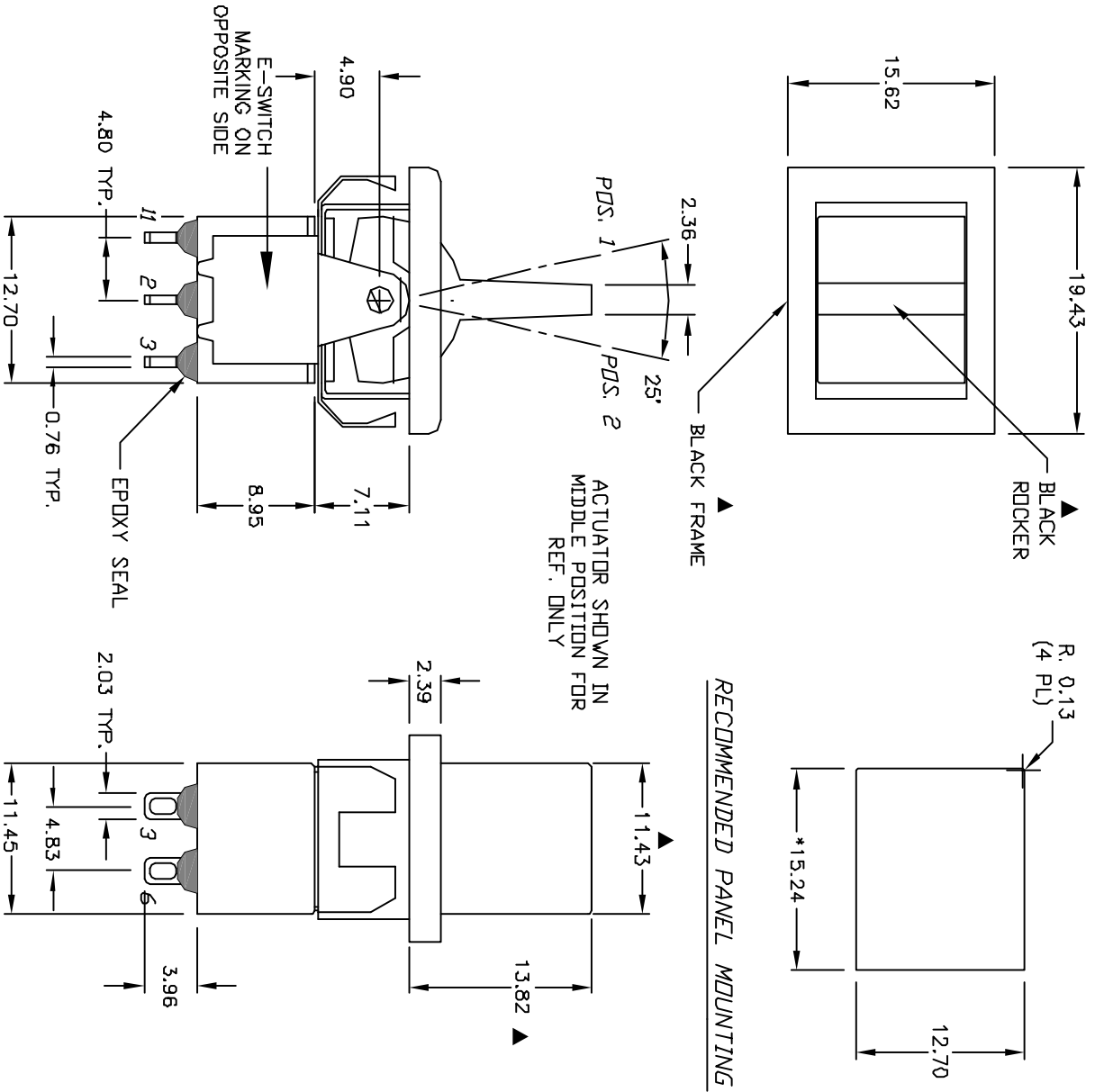
NOTES:

1. ALL DIMENSIONS IN MM
2. GENERAL TOLERANCE: X:X=±0.4 X:XX=±0.25
3. TERM. NOS. FOR REF. ONLY
4. RATING: 0.4VA @20 (AC or DC) max.
5. MATERIAL: FIXED TERMINAL & MOVING CONTACT
Copper Alloy w/Gold plate over Nickel plate.
6. CONTACT RESISTANCE: 10mILLI Ohms max initial @2-4VDC, 100mA for AG & AU
7. ELECTRICAL LIFE: 50,000 make-and-break cycles at full load.
8. INSULATION RESISTANCE: 1,000M Ohm min.
9. DIELECTRIC STRENGTH: 1,000V RMS @sea level
10. OPERATING TEMP.: -30°C to 85°C
11. ▲ DENOTES CRITICAL PARAMETER.

REV.	ECN NO.	DESCRIPTION	DATE	CHKD
A	13309	RELEASED FOR PRODUCTION	7/21/03	AR

TITLE	SCALE	DATE	DR	DWG	REV
300DP2R7BLKM1REBLK	2:1	7/21/03	AR	T324071	A

E-SWITCH®



THE INFORMATION CONTAINED IN THIS DOCUMENT IS PROPRIETARY TO E-SWITCH AND IS NOT TO BE COPIED OR TRANSFERRED