

Excellent Integrated System Limited

Stocking Distributor

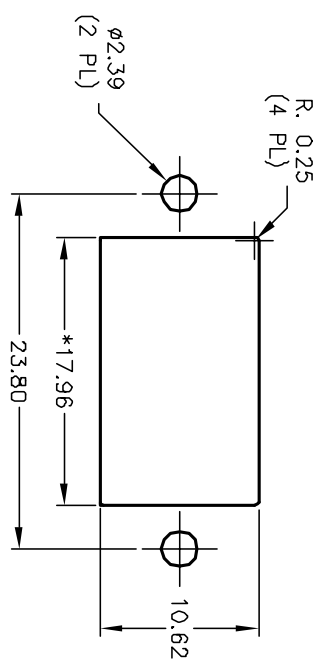
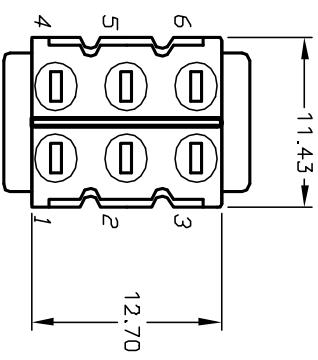
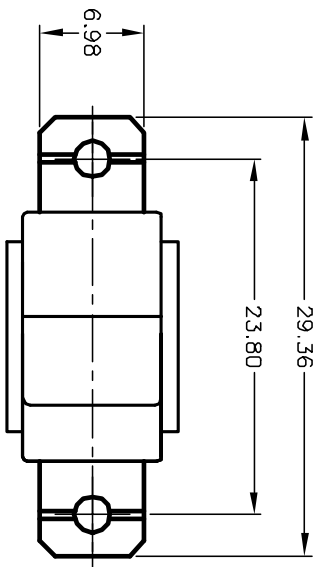
Click to view price, real time Inventory, Delivery & Lifecycle Information:

[E-Switch](#)
[300DP3R1M1RE](#)

For any questions, you can email us directly:

sales@integrated-circuit.com

SHEET OF

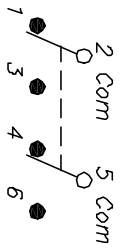
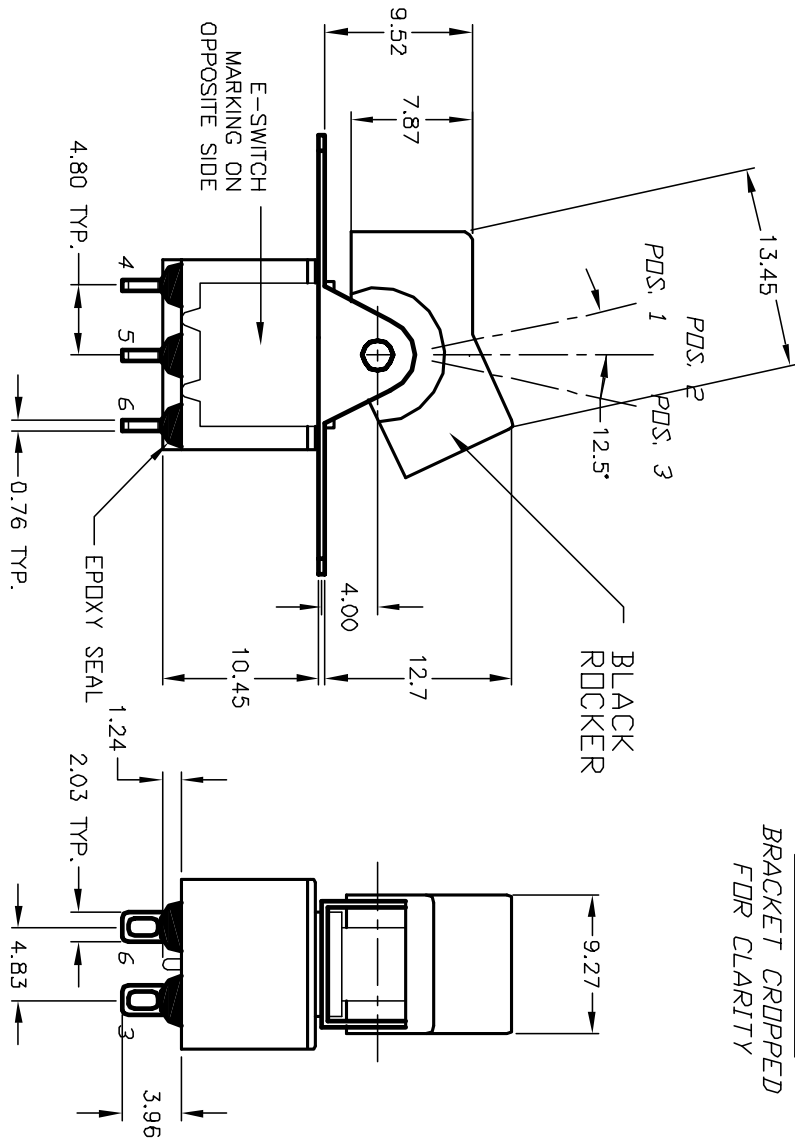


*BOTTOM VIEW
BRACKET CROPPED
FOR CLARITY*

PANEL THICKNESS

▲ DIMENSION IS 15.75/15.88
FOR PANEL THICKNESS BETWEEN
1.52mm TO 3.18mm

RECOMMENDED PANEL MOUNTING



SWITCH FUNCTION		
POS. 1	POS. 2	POS. 3
DN	OFF	DN
2-3,5-6	OPEN	2-1,5-4

NOTES:

1. ALL DIMENSIONS IN MM [INCH]
2. GENERAL TOLERANCE: X.X=±0.4 X.XX=±0.25
3. TERM. NOS. FOR REF. ONLY
4. RATING: 0.4VA max. @20V AC or DC, max.
5. MATERIAL: FIXED TERMINAL & MOVING CONTACT: Copper Alloy w/GOLD Plate
over Nickel plate
6. CONTACT RESISTANCE: 10mILLI Ohms max initial @2-4VDC, 100mA for AG & AU
7. ELECTRICAL LIFE: 50,000 make-and-break cycles at full load.
8. INSULATION RESISTANCE: 1,000M ohm min.
9. DIELECTRIC STRENGTH: 1000V RMS @sea level
10. OPERATING TEMP.: -30°C to 85°C

E-SWITCH®

REV.	ECN No.	DESCRIPTION	DATE	CHKD
B	12032	REVISED AND REDRAWN	4/3/02	CB

TITLE	SCALE	DATE	DR	DWG	REV
300 DP-3 R1 BLK M1 R E (GOLD CONTACTS)	2:1	4/3/02	CB	T3224000	B

THE INFORMATION CONTAINED IN THIS DOCUMENT IS PROPRIETARY TO E-SWITCH AND IS NOT TO BE COPIED OR TRANSMITTED