

## Excellent Integrated System Limited

Stocking Distributor

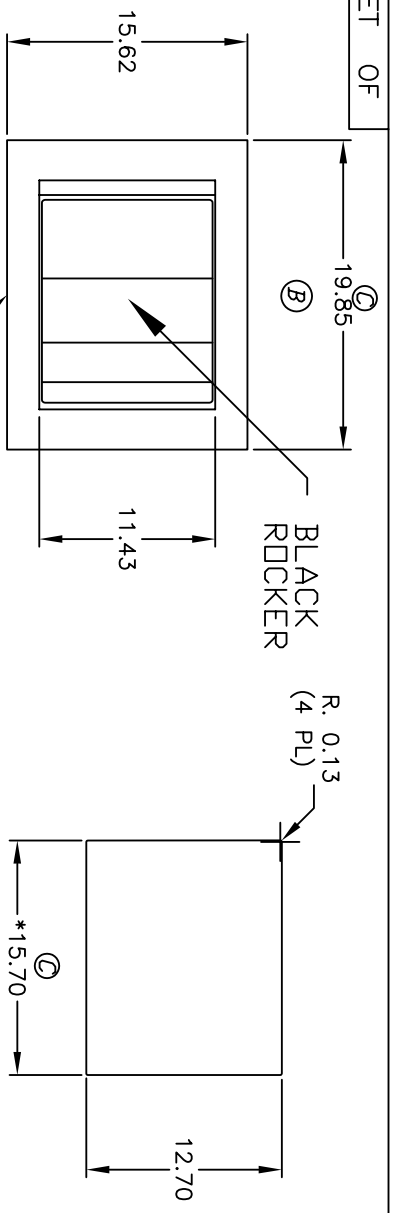
Click to view price, real time Inventory, Delivery & Lifecycle Information:

[E-Switch](#)  
[300DP4R6BLKM1QEBLK](#)

For any questions, you can email us directly:

[sales@integrated-circuit.com](mailto:sales@integrated-circuit.com)

SHEET OF



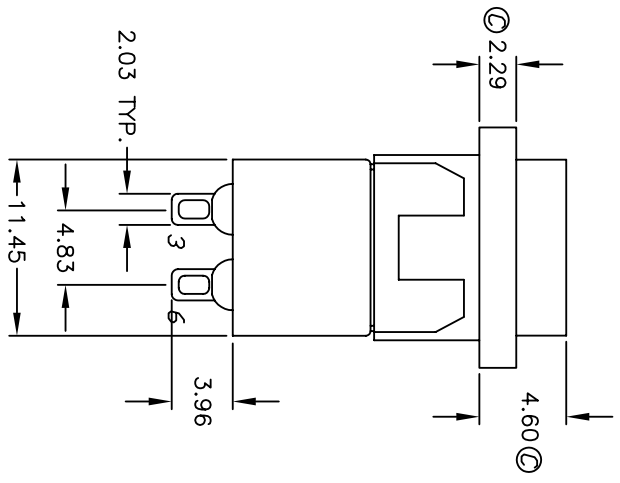
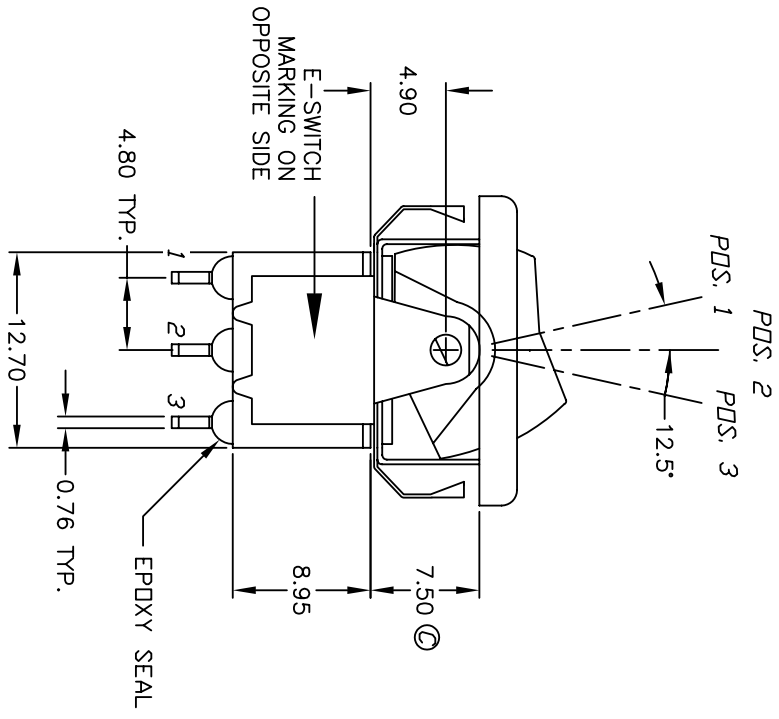
BLACK BEZEL

RECOMMENDED PANEL MOUNTING

PANEL THICKNESS

1.52 TO 3.18

\* DIMENSION IS 15.75/15.88 FOR PANEL THICKNESS BETWEEN 1.52mm TO 3.18mm



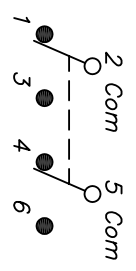
NOTES:

1. ALL DIMENSIONS IN MM
2. GENERAL TOLERANCE: X.X=±0.4 X.XX=±0.25
3. TERM. NOS. FOR REF. ONLY
4. RATING: 5A @120VAC OR 28VDC 2A @250VAC
5. MATERIAL: FIXED TERMINAL & MOVING CONTACT  
Copper Alloy w/Silver Plate
6. CONTACT RESISTANCE: 10mILLI Ohms max initial @2-4VDC, 100ma for AG & AU
7. ELECTRICAL LIFE: 50,000 make-and-break cycles at full load.
8. INSULATION RESISTANCE: 1,000M ohm min.
9. DIELECTRIC STRENGTH: 1000V RMS @sea level
10. OPERATING TEMP.: -30°C to 85°C
- ©11. 2002/95/EC (ROHS) COMPLIANT

< >=MENTINARY

SWITCH FUNCTION		
PDS. 1	PDS. 2	PDS. 3
<DN>	DFF	<DN>
2-3,5-6	DPEN	2-1,5-4

CIRCUIT: DPDT



**E-SWITCH®**

REV.	ECN No.	DESCRIPTION	DATE	CHKD
C	15900	CHANGES NOTED	3/27/06	PH
B	12120	REVISED DESC/ PER CATALOG	5/6/02	CB
A	10822	RELEASED FOR PRODUCTION	7/28/00	MM

SCALE	DATE	DR	DWG	REV
2:1	7/28/00	MM	T324002	C

THE INFORMATION CONTAINED IN THIS DOCUMENT IS PROPRIETARY TO E-SWITCH AND IS NOT TO BE COPIED OR TRANSFERRED

300 DP-4 R6 BLK M1 Q E BLK