

Excellent Integrated System Limited

Stocking Distributor

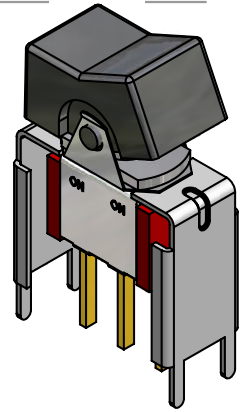
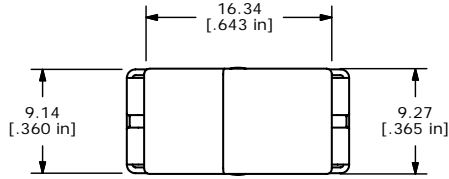
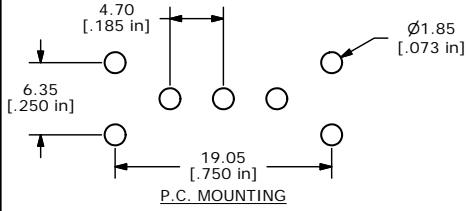
Click to view price, real time Inventory, Delivery & Lifecycle Information:

[E-Switch](#)
[300SP1J1BLKVS5RE](#)

For any questions, you can email us directly:

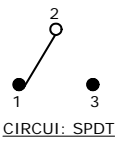
sales@integrated-circuit.com

SHEET 1 OF 1

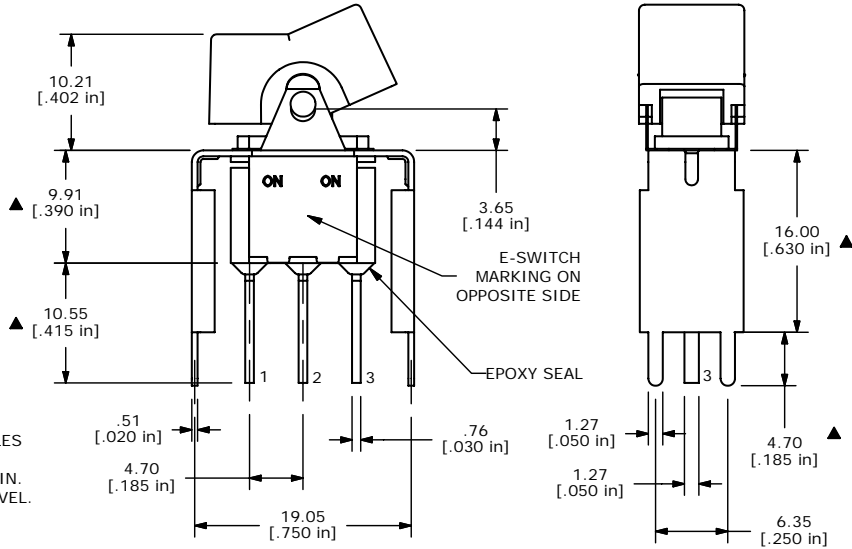


ISOMETRIC

SWITCH FUNCTION		
POS. 1	POS. 2	POS. 3
ON	NONE	ON
2-3	N/A	2-1



- NOTE:
1. ALL DIMENSIONS IN MM [INCH]
 2. GENERAL TOLERANCE: X.X=±0.4 X.XX=±0.25
 3. TERMINAL NUMBERS FOR REF ONLY
 - ▲ 4. PLATING MATERIAL: GOLD
 5. RATING: 0.4VA @20VAC OR DC
 6. ELECTRIC LIFE: 40,000 MAKE-AND-BREAK CYCLES AT FULL LOAD.
 7. INSULATION RESISTANCE: 1,000 MEGA-OHM MIN.
 8. DIELECTRIC STRENGTH: 1,000 V RMS @SEA LEVEL.
 9. OPERATING TEMP.: -30°C to 85°C
 10. ▲ DENOTES CRITICAL PARAMETER.
 11. 2002/95/EC (ROHS) COMPLIANT



C	15739	REMOVE UL,CUL, VDE APPROVAL	2/7/06	PH
B	15215	CHANGES NOTED	8/29/05	PH
A	15003	RELEASED FOR PRODUCTION	7/6/05	JB
REV	PCR NO	DESCRIPTION	DATE	BY

E-SWITCH®

TITLE 300SP1J1BLKVS5RE

SCALE 2:1	DATE 7/6/2005	DR JB	DWG T307002	REV C
-----------	---------------	-------	-------------	-------

THE INFORMATION CONTAINED IN THIS DOCUMENT IS PROPRIETARY TO E-SWITCH AND IS NOT TO BE COPIED OR TRANSFERRED