

Excellent Integrated System Limited

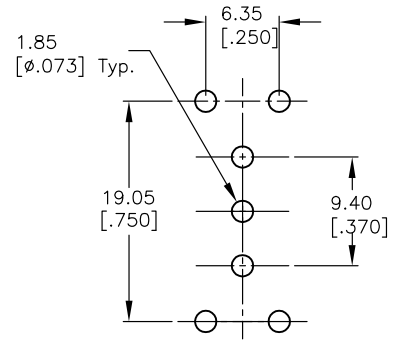
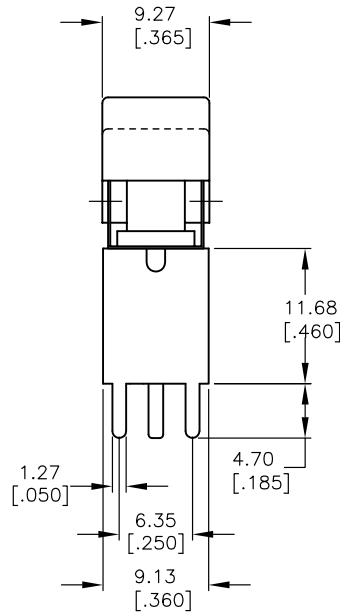
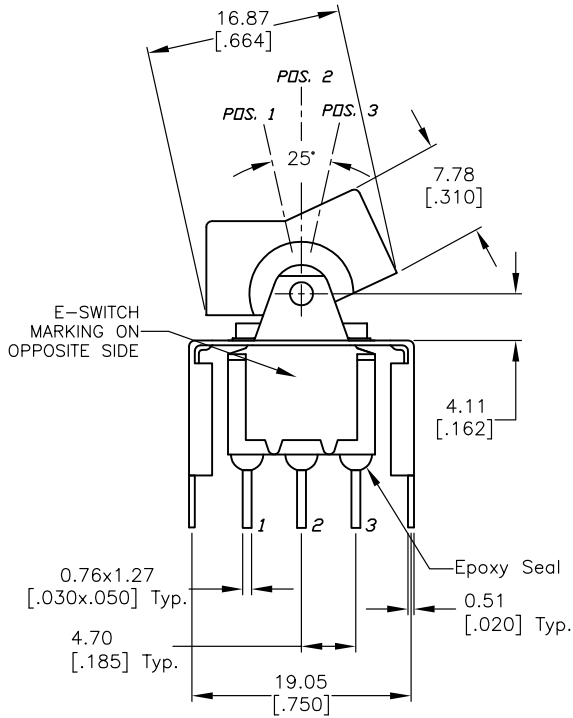
Stocking Distributor

Click to view price, real time Inventory, Delivery & Lifecycle Information:

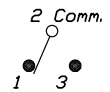
[E-Switch](#)
[300SP1J1WHTVS4QE](#)

For any questions, you can email us directly:

sales@integrated-circuit.com



RECOMMEND P.C.B. LAYOUT



CIRCUIT: SPDT

CONTACT CONFIGURATION

SWITCH FUNCTION		
PDS. 1	PDS. 2	PDS. 3
DN	NONE	DN
2-3	OPEN	2-1

NOTES:

1. ALL DIMENSIONS IN MM [INCH]
2. GENERAL TOLERANCE: 0.0±0.4
0.00±0.25
3. TERM. NOS. FOR REF. ONLY
4. CONTACT RATING: 5A, @120VAC or 28VDC; 2A, @250VAC.
5. ELECTRICAL LIFE: 50,000 make-and-break cycles at full load.
6. INSULATION RESISTANCE: 1,000 M Ohms min.
7. DIELECTRIC STRENGTH: 1,000 V RMS @sea level.
8. OPERATING TEMP.: -30°C to 85°C
9. FIXED TERMINAL & MOVING CONTACT: Silver plated copper alloy

E-SWITCH®

TITLE				
300 SP-1 J1 (Wht.) VS4 Q E				
SCALE	DATE	DR	DWG	REV
2:1	12/28/99	MM	T311032	A

THE INFORMATION CONTAINED IN THIS DOCUMENT IS PROPRIETARY TO E-SWITCH AND IS NOT TO BE COPIED OR TRANSFERRED

REV.	ECN No.	DESCRIPTION	DATE	CHKD
A	10482	RELEASED FOR PRODUCTION		