

Excellent Integrated System Limited

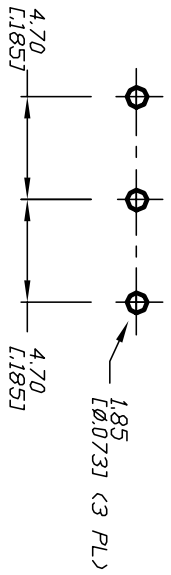
Stocking Distributor

Click to view price, real time Inventory, Delivery & Lifecycle Information:

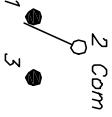
[E-Switch](#)
[300SP2J1BLKM2RE](#)

For any questions, you can email us directly:

sales@integrated-circuit.com



RECOMMENDED PCB LAYOUT
 NOT TO SCALE

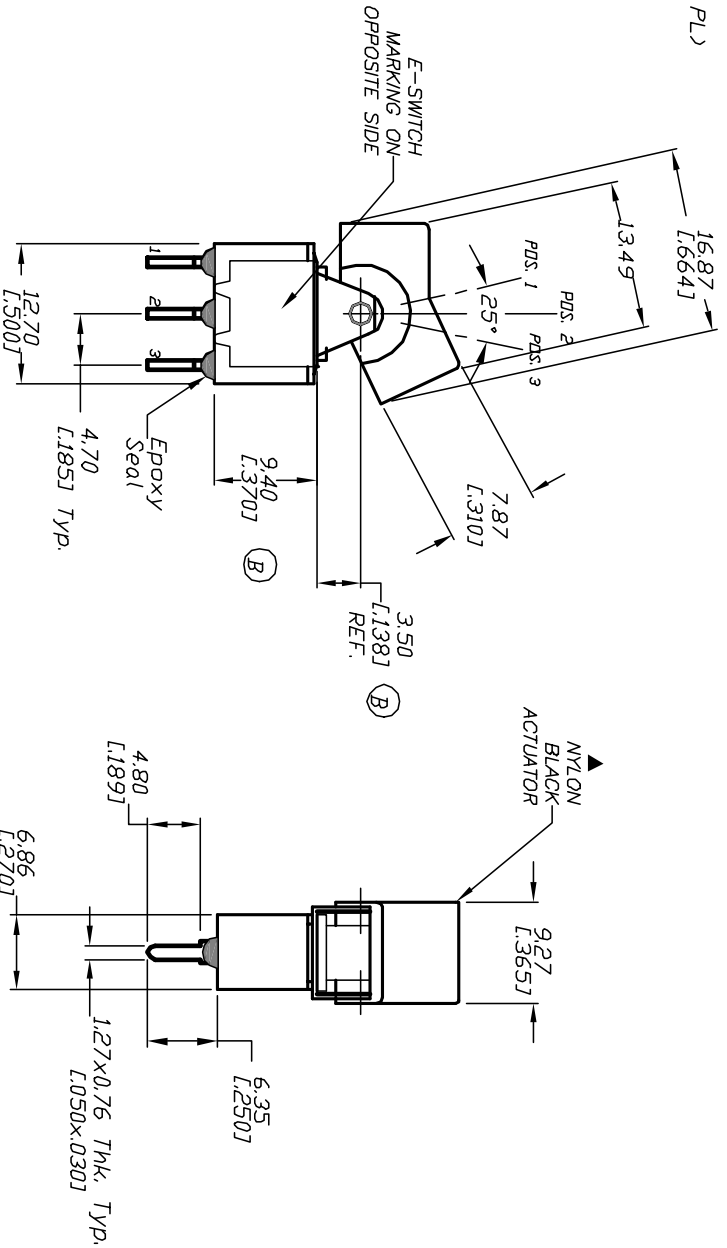


SWITCH FUNCTION		
PDS. 1	PDS. 2	PDS. 3
DN	N/DNE	<DN>
2-3	DPEN	2-1

() =Momentary

NOTES:

1. ALL DIMENSIONS IN MM [INCH]
2. GENERAL TOLERANCE: X.X=±0.4 X.XX=±0.25
3. TERM. NOS. FOR REF. ONLY
4. RATING: 0.4VA @20V AC or DC max.
5. MATERIAL: FIXED TERMINAL & MOVING CONTACT
 Copper Alloy w/Gold Plate over Nickel plate.
6. CONTACT RESISTANCE: 10mILLI Ohms max initial @2-4VDC, 100mA for AG & AU
7. ELECTRICAL LIFE: 50,000 make-and-break cycles at full load.
8. INSULATION RESISTANCE: 1,000M ohm min.
9. DIELECTRIC STRENGTH: 1000V RMS @sea level
10. OPERATING TEMP.: -30°C to 85°C



REV. B	ECN NO. 12359	REV DEC, DIM, ADD MATERIAL	8/8/02	CB
		DESCRIPTION	DATE	CHKD

TITLE	SCALE	DATE	DR	DWG	REV
300 SP-2 J1 (BLK.) M2 R E (GOLD CONTACTS)	1.5:1	10/6/99	MM	T312007	B

E-SWITCH®

THE INFORMATION CONTAINED IN THIS DOCUMENT IS PROPRIETARY TO E-SWITCH AND IS NOT TO BE COPIED OR TRANSMITTED