

Excellent Integrated System Limited

Stocking Distributor

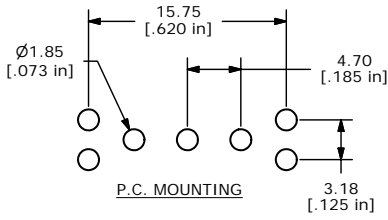
Click to view price, real time Inventory, Delivery & Lifecycle Information:

[E-Switch](#)
[300SP2J1BLKVS2RE](#)

For any questions, you can email us directly:

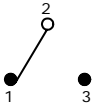
sales@integrated-circuit.com

SHEET 1 OF 1

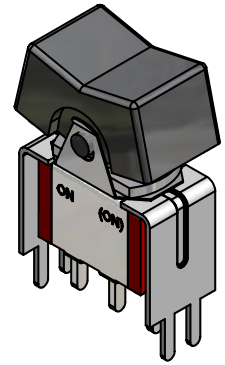
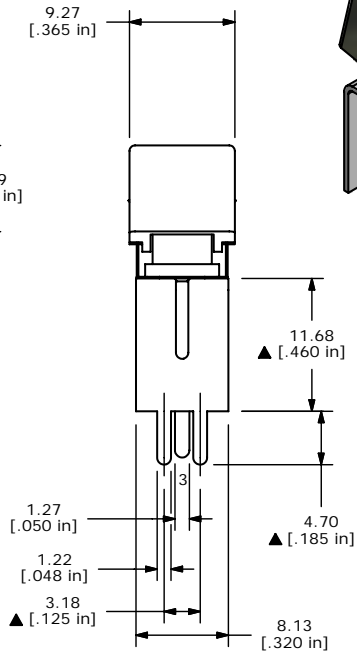
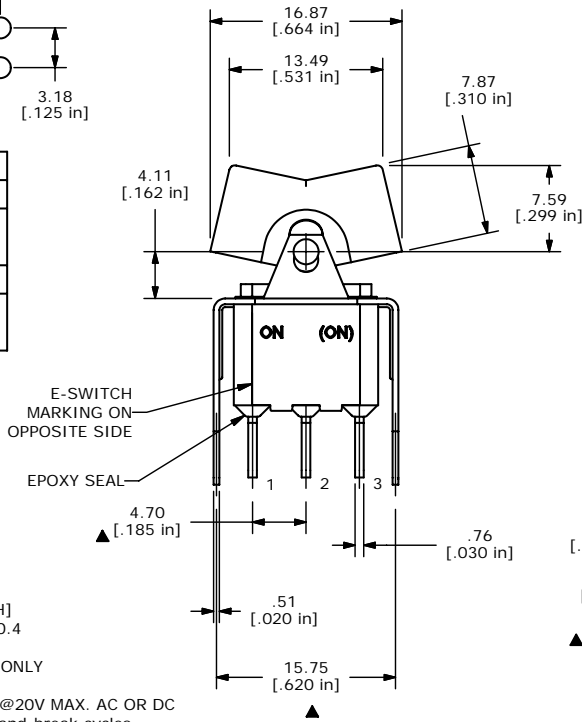


SWITCH FUNCTION		
POS. 1	POS. 2	POS. 3
ON	NONE	(ON)
2-3	N/A	2-1

(ON)=MOMENTARY



CIRCUI: SPDT



ISOMETRIC

- NOTE:
- ALL DIMENSIONS IN MM [INCH]
 - GENERAL TOLERANCE: X.X=±0.4
X.XX=±0.25
 - TERMINAL NUMBERS FOR REF ONLY
 - ▲ PLATING MATERIAL: GOLD
 - RATING: 0.4 VOLTAMPS MAX. @20V MAX. AC OR DC
 - ELECTRIC LIFE: 40,000 make-and-break cycles at full load.
 - INSULATION RESISTANCE: 1,000 Mega-ohm min.
 - DIELECTRIC STRENGTH: 1,000 V RMS @sea level.
 - OPERATING TEMP.: -30°C to 85°C
 - ▲ DENOTES CRITICAL PARAMETER.



A	15422	DESC. TO J1 FROM R1 PER VENDOR REQ.	10/20/05	PH
A	15273	RELEASED FOR PRODUCTION	9/14/05	PH
REV	PCR NO	DESCRIPTION	DATE	BY

TITLE 300SP2J1BLKVS2RE

SCALE	2:1	DATE	9/14/2005	DR	PH	DWG	T312022	REV	B
-------	-----	------	-----------	----	----	-----	---------	-----	---

THE INFORMATION CONTAINED IN THIS DOCUMENT IS PROPRIETARY TO E-SWITCH AND IS NOT TO BE COPIED OR TRANSFERRED