

Excellent Integrated System Limited

Stocking Distributor

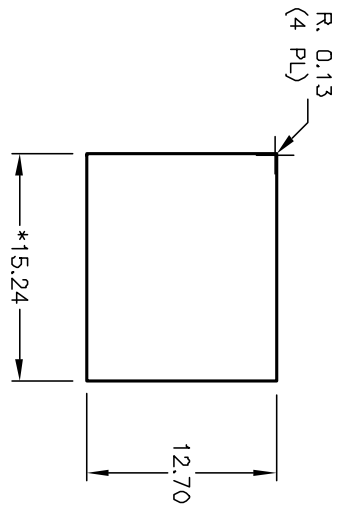
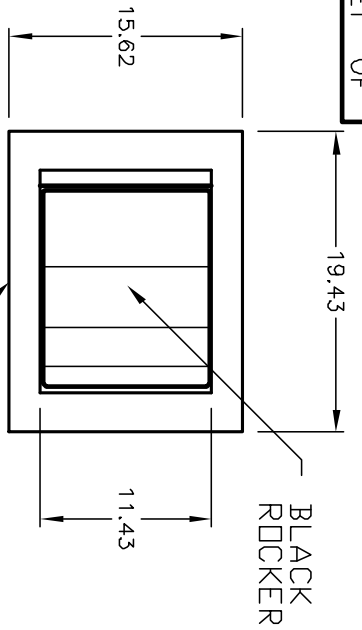
Click to view price, real time Inventory, Delivery & Lifecycle Information:

[E-Switch](#)
[300SP2R6BLKM1QEBLK](#)

For any questions, you can email us directly:

sales@integrated-circuit.com

SHEET OF



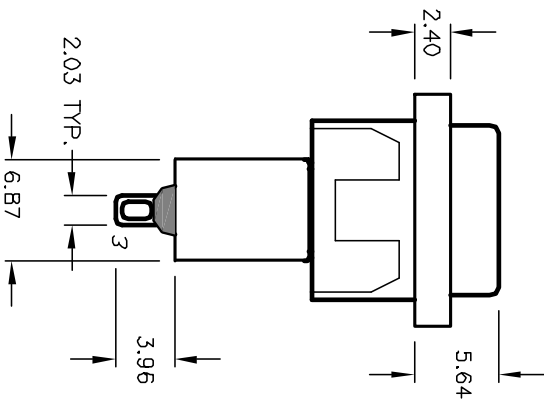
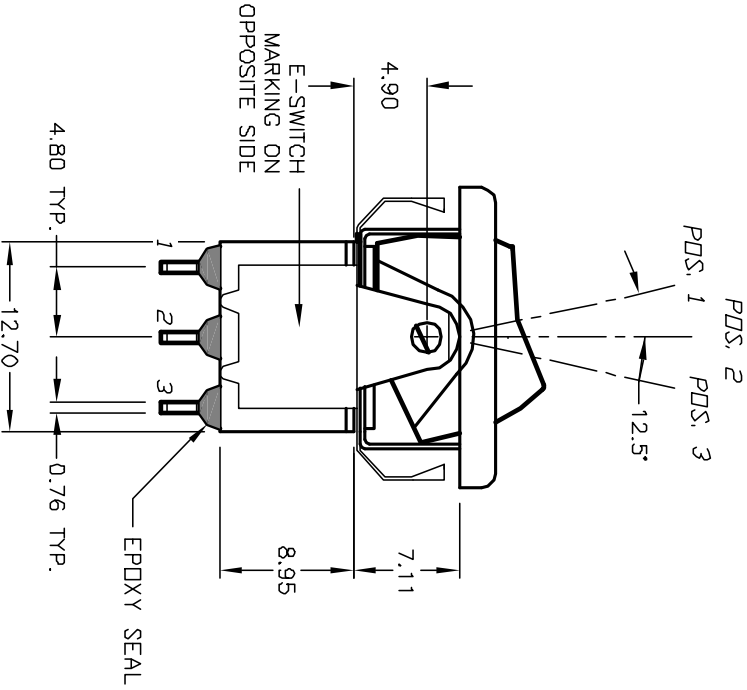
BLACK BEZEL

RECOMMENDED PANEL MOUNTING

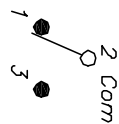
PANEL THICKNESS

1.52 TO 3.18

* DIMENSION IS 15.75/15.88 FOR PANEL THICKNESS BETWEEN 1.52mm TO 3.18mm



CIRCUIT: SPDT



SWITCH FUNCTION		
POS. 1	POS. 2	POS. 3
DN	NONE	<DN>
2-3	OPEN	2-1

(<) = Momentary

NOTES:

1. ALL DIMENSIONS IN MM
2. GENERAL TOLERANCE: X.X=±0.4 X.XX=±0.25
3. TERM. NOS. FOR REF. ONLY
4. RATING: 5A @120VAC OR 2BVDC 2A @250VAC
5. MATERIAL: FIXED TERMINAL & MOVING CONTACT Copper Alloy w/Silver Plate
6. CONTACT RESISTANCE: 10mILLI Ohms max initial @2-4VDC, 100mA for AG & AU
7. ELECTRICAL LIFE: 50,000 make-and-break cycles at full load.
8. INSULATION RESISTANCE: 1,000M ohm min.
9. DIELECTRIC STRENGTH: 1000V RMS @sea level
10. OPERATING TEMP.: -30°C to 85°C

E-SWITCH®

REV.	ECN No.	DESCRIPTION	DATE	CHKD
A	12202	REVISED AND REDRAWN	6/18/02	CB

TITLE	SCALE	DATE	DR	DWG	REV
300 SP-2 R6 BLK M1 Q E BLK	2:1	6/18/02	CB	T312015	A

THE INFORMATION CONTAINED IN THIS DOCUMENT IS PROPRIETARY TO E-SWITCH AND IS NOT TO BE COPIED OR TRANSMITTED