

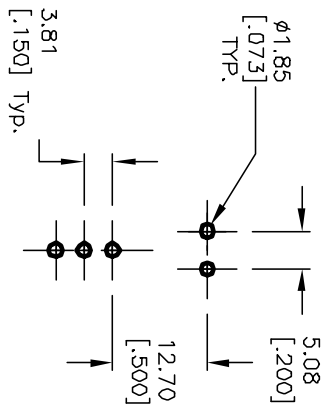
Excellent Integrated System Limited

Stocking Distributor

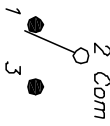
Click to view price, real time Inventory, Delivery & Lifecycle Information:

[E-Switch](#)
[300SP3J1GRYM7RE](#)

For any questions, you can email us directly:
sales@integrated-circuit.com



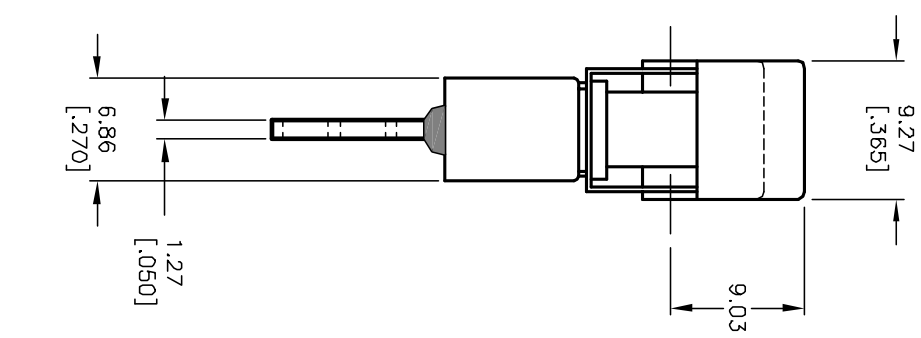
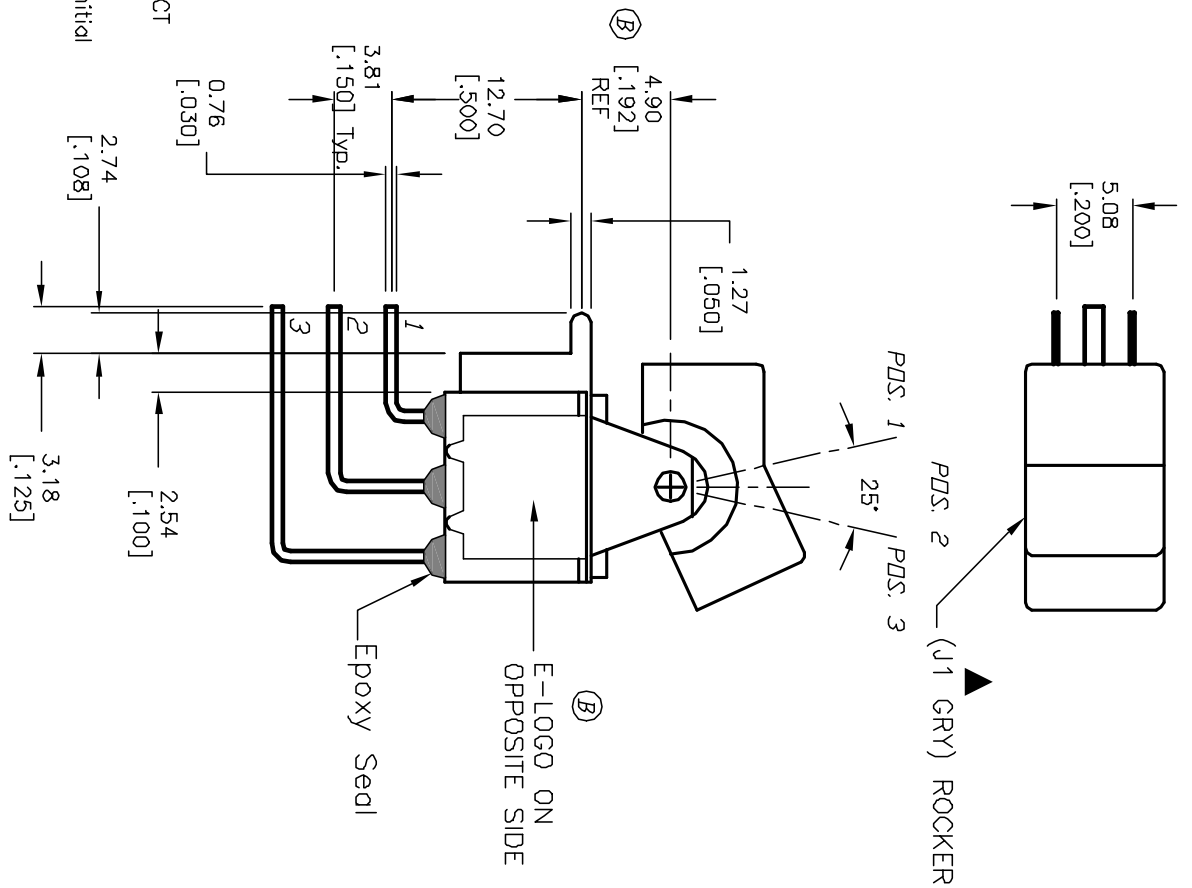
RECOMMENDED P.C.B. LAYOUT
NOT TO SCALE



SWITCH FUNCTION		
PDS. 1	PDS. 2	PDS. 3
DN	DFF	DN
2-3	DPEN	2-1

NOTES:

1. ALL DIMENSIONS IN MM [INCH]
2. GENERAL TOLERANCE: X.X=±0.4 X.XX=±0.25
3. TERM. NOS. FOR REF. ONLY
4. RATING: 0.4(VA) max. @20V (AC or DC)
5. MATERIAL: FIXED TERMINAL & MOVING CONTACT
Copper Alloy w/GOLD plate over
Nickel plate
6. CONTACT RESISTANCE: 10mILLI Ohms max initial
@2-4VDC, 100mA for AG & AU
7. ELECTRICAL LIFE: 50,000 make-and-break
cycles at full load.
8. INSULATION RESISTANCE: 1,000M ohm min.
9. DIELECTRIC STRENGTH: 1000V RMS @sea level
10. OPERATING TEMP.: -30°C to 85°C



REV.	ECN No.	DESCRIPTION	DATE	CHKD
B	12210	ADD NOTE 5& 6, ROCKER COLOR	6/5/02	CJB

TITLE	SCALE	DATE	DR	DWG	REV
300 SP-3 (J1 GRY) M7 RE (GOLD CONTACTS)	2:1	6/5/02	CJB	T311044	B



THE INFORMATION CONTAINED IN THIS DOCUMENT IS PROPRIETARY TO E-SWITCH AND IS NOT TO BE COPIED OR TRANSMITTED