

## Excellent Integrated System Limited

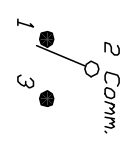
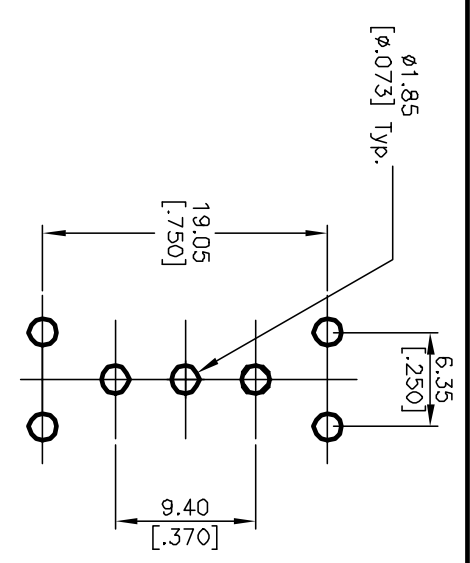
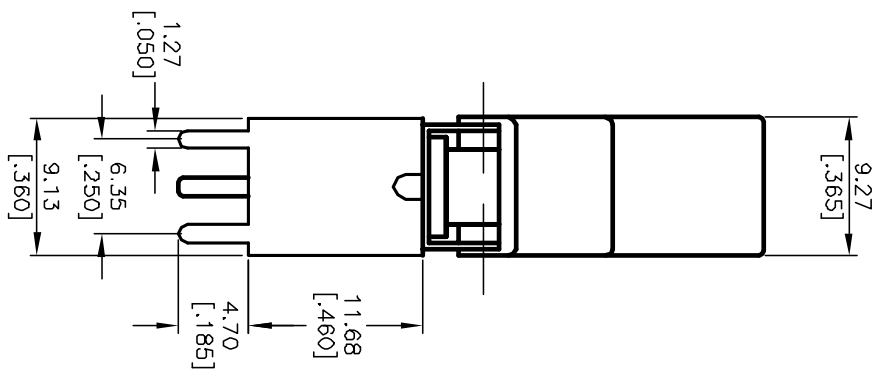
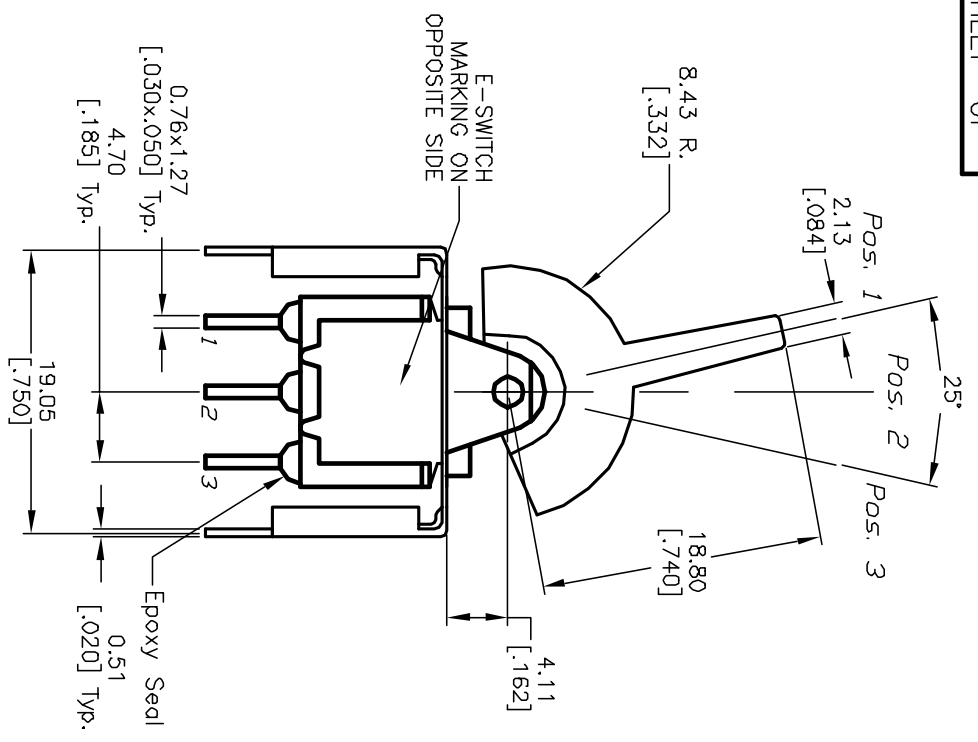
Stocking Distributor

Click to view price, real time Inventory, Delivery & Lifecycle Information:

[E-Switch](#)  
[300SP3J2BLKVS5QE](#)

For any questions, you can email us directly:

[sales@integrated-circuit.com](mailto:sales@integrated-circuit.com)



CONTACT CONFIGURATION

SWITCH FUNCTION		
POS. 1	POS. 2	POS. 3
DN	OFF	DN
2-3	OPEN	2-1

- NOTES:
1. ALL DIMENSIONS IN MM [INCH]
  2. GENERAL TOLERANCE: 0.0=±0.4  
0.00=±0.25
  3. TERM. NOS. FOR REF. ONLY
  4. CONTACT RATING: 5A, @120VAC or 28VDC; 2A, @250VAC.
  5. ELECTRICAL LIFE: 50,000 make-and-break cycles at full load.
  6. INSULATION RESISTANCE: 1,000 M Ohms min.
  7. DIELECTRIC STRENGTH: 1,000 V RMS @sea level.
  8. OPERATING TEMP.: -30°C to 85°C

REV.	ECN No.	DESCRIPTION	DATE	CHKD
A	13012	RELEASED FOR PRODUCTION	4/9/03	AR

TITLE	SCALE	DATE	DR	DWG	REV
300SP3J2BLKVS5QE	2:1	4/9/03	AR	T313000	A

**E-SWITCH®**

THE INFORMATION CONTAINED IN THIS DOCUMENT IS PROPRIETARY TO E-SWITCH AND IS NOT TO BE COPIED OR TRANSMITTED