

## Excellent Integrated System Limited

Stocking Distributor

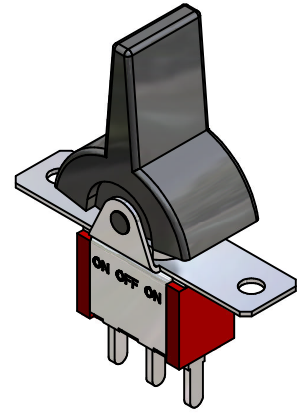
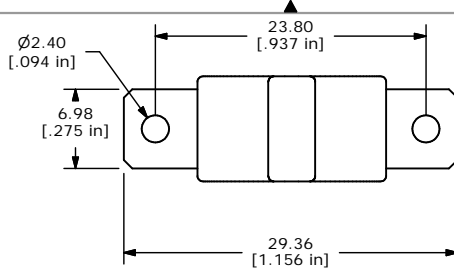
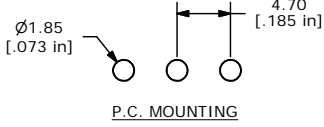
Click to view price, real time Inventory, Delivery & Lifecycle Information:

[E-Switch](#)  
[300SP3R2BLKM3QE](#)

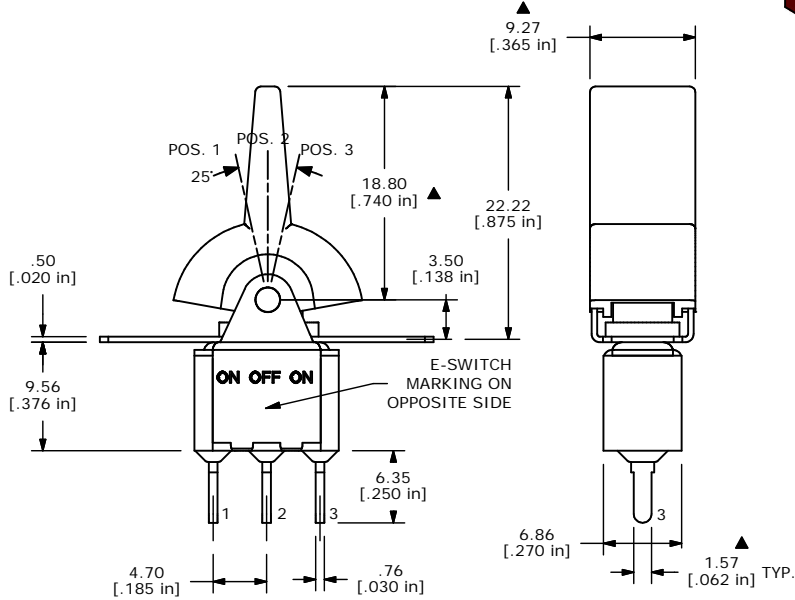
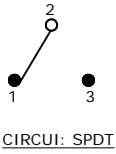
For any questions, you can email us directly:

[sales@integrated-circuit.com](mailto:sales@integrated-circuit.com)

SHEET 1 OF 1



SWITCH FUNCTION		
POS. 1	POS. 2	POS. 3
ON	OFF	ON
2-3	OPEN	2-1



- NOTE:
1. ALL DIMENSIONS IN MM [INCH]
  2. GENERAL TOLERANCE: X.X=±0.4  
X.XX=±0.25
  3. TERMINAL NUMBERS FOR REF ONLY
  - ▲4. PLATING MATERIAL: SILVER
  5. RATING: 2 AMPS @250VAC  
5 AMPS @120VAC OR 28VDC
  6. ELECTRIC LIFE: 50,000 make-and-break cycles at full load.
  7. INSULATION RESISTANCE: 1,000 Mega-ohm min.
  8. DIELECTRIC STRENGTH: 1,000 V RMS @sea level.
  9. OPERATING TEMP.: -30°C to 85°C
  10. ▲DENOTES CRITICAL PARAMETER.

**E-SWITCH®**

A	14414	RELEASED FOR PRODUCTION	10/20/04	AR
REV	PCR NO	DESCRIPTION	DATE	BY

TITLE 300SP3R2BLKM3QE				
SCALE	DATE	DR	DWG	REV
2:1	10/20/04	AR	T313028	A

THE INFORMATION CONTAINED IN THIS DOCUMENT IS PROPRIETARY TO E-SWITCH AND IS NOT TO BE COPIED OR TRANSFERRED