

Excellent Integrated System Limited

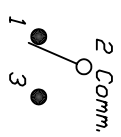
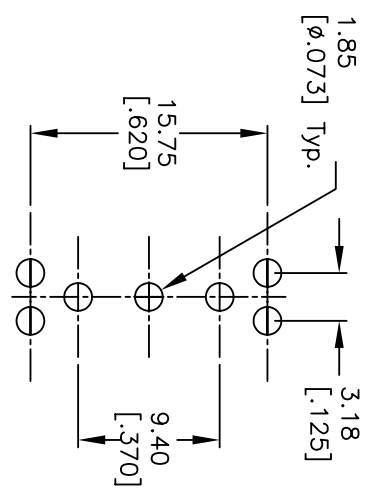
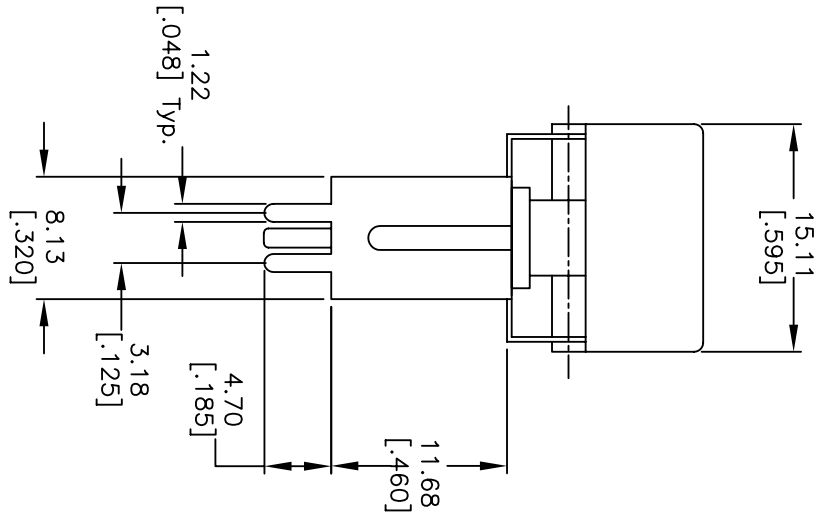
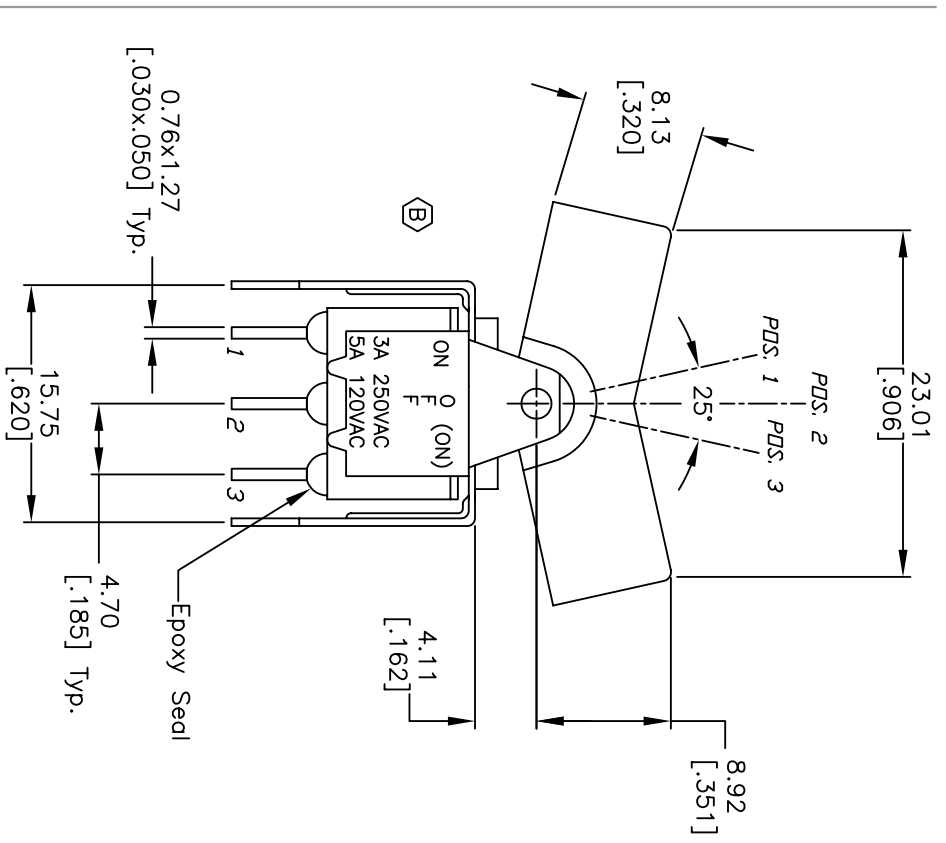
Stocking Distributor

Click to view price, real time Inventory, Delivery & Lifecycle Information:

[E-Switch](#)
[300SP5J3BLKVS2QE](#)

For any questions, you can email us directly:

sales@integrated-circuit.com



CIRCUIT: SPDT
 CONTACT CONFIGURATION

| SWITCH FUNCTION | | |
|-----------------|--------|--------|
| PDS. 1 | PDS. 2 | PDS. 3 |
| DN | OFF | (DN) |
| 2-3 | DPEN | 2-1 |

()=Momentary

- NOTES:
1. ALL DIMENSIONS IN MM [INCH]
 2. GENERAL TOLERANCE: 0.0±0.4
0.00±0.25
 3. TERM. NOS. FOR REF. ONLY
 4. CONTACT RATING: 5A, @120VAC or 28VDC; 2A, @250VAC.
 5. ELECTRICAL LIFE: 50,000 make-and-break cycles
at full load.
 6. INSULATION RESISTANCE: 1,000 M Ohms min.
 7. DIELECTRIC STRENGTH: 1,000 V RMS @sea level.
 8. OPERATING TEMP.: -30°C to 85°C

| REV. | ECN No. | DESCRIPTION | DATE | CHKD |
|------|---------|-------------------------|---------|------|
| C | 15971 | ADD 'BLK' TO TITLE | 5/1/06 | BK |
| B | 14309 | CORRECT FRONT VIEW | 9/10/04 | AR |
| A | 10123 | RELEASED FOR PRODUCTION | 2/15/99 | MM |

| ADD 'BLK' TO TITLE | 5/1/06 | BK |
|-------------------------|---------|----|
| CORRECT FRONT VIEW | 9/10/04 | AR |
| RELEASED FOR PRODUCTION | 2/15/99 | MM |

| | |
|------------------|------------------|
| E-SWITCH® | |
| TITLE | 300SP5J3BLKVS2QE |
| SCALE | 2:1 |
| DATE | 2/15/99 |
| DR | MM |
| DWG | T315003 |
| REV | C |

THE INFORMATION CONTAINED IN THIS DOCUMENT IS PROPRIETARY TO E-SWITCH AND IS NOT TO BE COPIED OR TRANSFERRED