

Excellent Integrated System Limited

Stocking Distributor

Click to view price, real time Inventory, Delivery & Lifecycle Information:

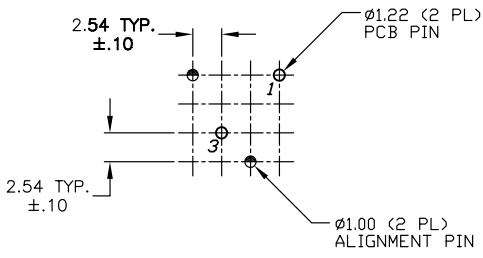
[E-Switch](#)
[320.05E11WHT](#)

For any questions, you can email us directly:

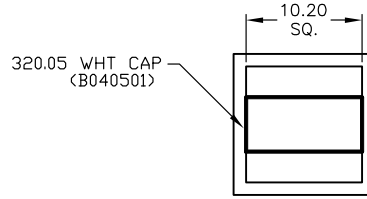
sales@integrated-circuit.com

SHEET OF

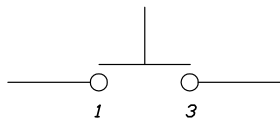
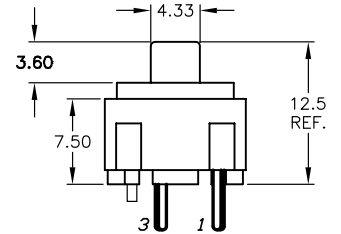
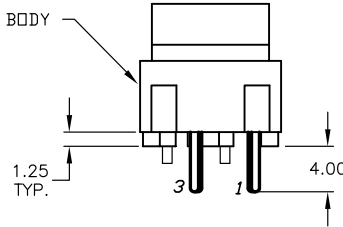
TOP VIEW -SHOW ORIENTATION OF LEGENDS
 IN RESPECT TO THE PCB PIN TERMINALS.



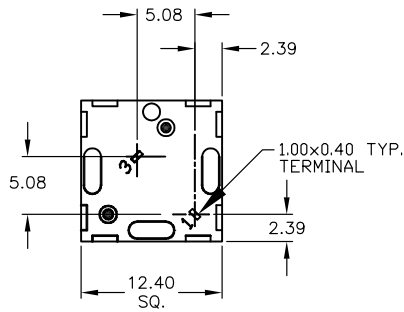
RECOMMENDED P.C.B. LAYOUT



320 E1-1 BODY (B01ME11)



CIRCUIT: SPST
 CONTACT CONFIGURATION



NOTES:

1. ALL DIMENSIONS IN MM
2. GENERAL TOLERANCE: X.X=±0.4
X.XX=±0.25
3. TERMINAL NO'S FOR REFERENCE ONLY.
4. RATING: 25mA, @50VDC
5. OPERATING FORCE: 120gF
6. TRAVEL TO MAKE: 0.7mm
7. USES CONTACT DOME:
320E11 CONTACT DOME [B050001]

E-SWITCH®

TITLE					320.05E11WHT (HORIZONTAL)				
SCALE	DATE	DR	DWG	REV	SCALE	DATE	DR	DWG	REV
2:1	10/16/03	AR	XB0485P	A					

A	13540	RELEASED FOR PRODUCTION	10/16/03	AR
REV.	ECN No.	DESCRIPTION	DATE	CHKD
<small>THE INFORMATION CONTAINED IN THIS DOCUMENT IS PROPRIETARY TO E-SWITCH AND IS NOT TO BE COPIED OR TRANSFERRED</small>				