

Excellent Integrated System Limited

Stocking Distributor

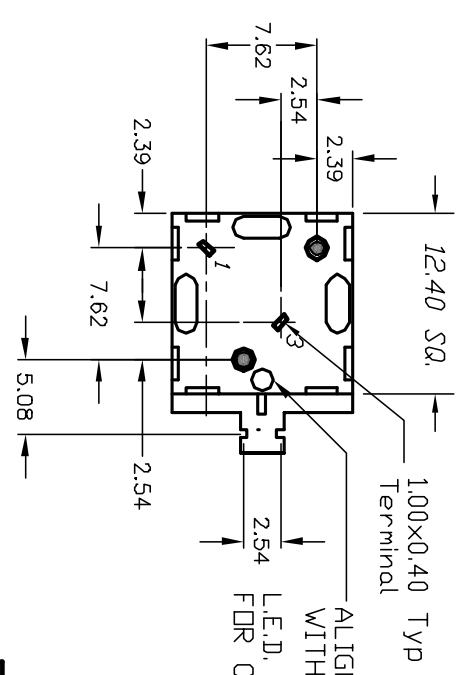
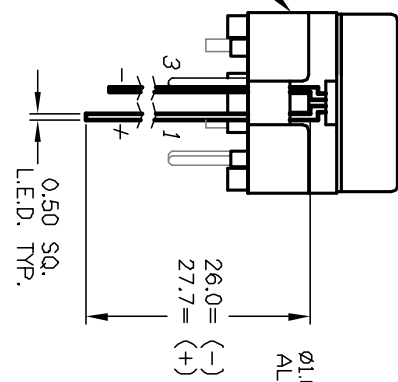
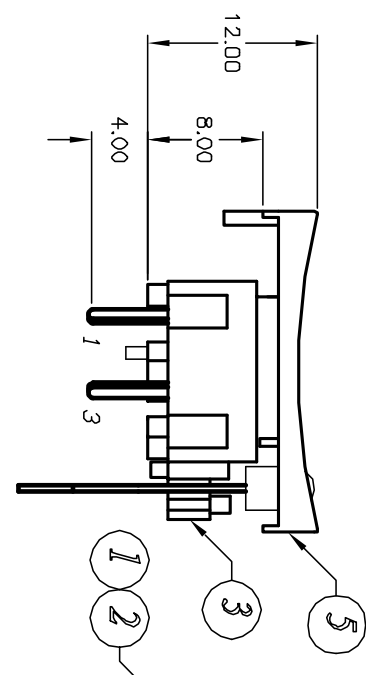
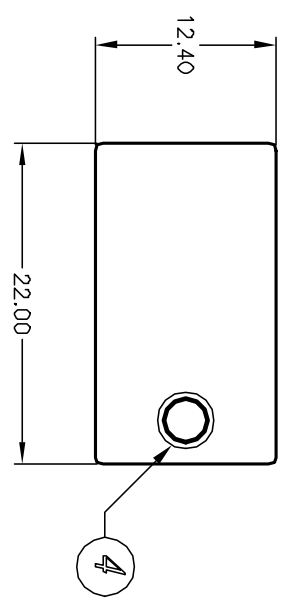
Click to view price, real time Inventory, Delivery & Lifecycle Information:

[E-Switch](#)
[320.2E11BLUREDLED](#)

For any questions, you can email us directly:

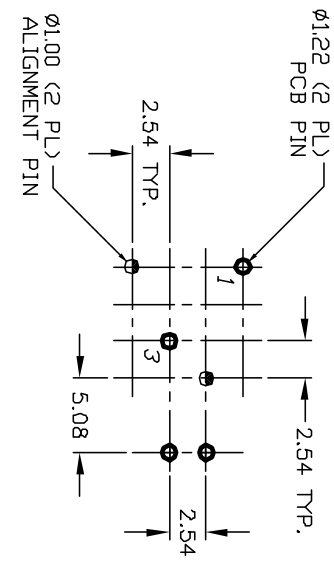
sales@integrated-circuit.com

SHEET OF

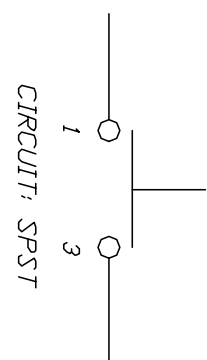


PARTS LIST

Item	Qty.	Dwg. No.	Part No.
1	1	B01ME11	320 E1-1 BODY
2	1	B050001	320 E1-1 CONTACT
3	1	B070001	320.2 LED HOLDER
4	1	D062004	RED L.E.D.
5	1	B042004	320.2 CAP BLU



RECOMMENDED P.C.B. LAYOUT



NOTES:

1. ALL DIMENSIONS IN MM
 2. GENERAL TOLERANCE: X.X=±0.4 X.XX=±0.25
 3. TERM. NOS. FOR REF. ONLY
 4. CONTACT RATING: 25mA/50V DC.
 5. TRAVEL: 0.7mm
 6. OPERATING FORCE: 120gf.
 7. LED SPECIFICATION
- FORWARD VOLTAGE: $V_f = 2.0V$

E-SWITCH®

REV.	A	ECN No.	12950	DESCRIPTION	RELEASED FOR PRODUCTION	DATE	11/11/02	CHKD	CB
THE INFORMATION CONTAINED IN THIS DOCUMENT IS PROPRIETARY TO E-SWITCH AND IS NOT TO BE COPIED OR TRANSMITTED									

TITLE	320.2 E1-1 BLU (W/RED LED)								
SCALE	2:1	DATE	--	DR	--	DWG	XB06724	REV	A