

## Excellent Integrated System Limited

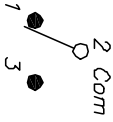
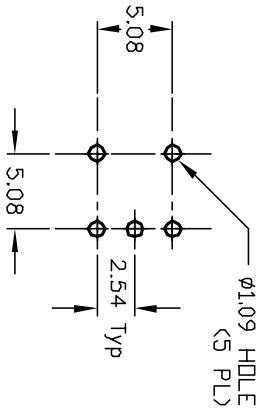
Stocking Distributor

Click to view price, real time Inventory, Delivery & Lifecycle Information:

[E-Switch](#)  
[400MSP1R1BLKM6RE](#)

For any questions, you can email us directly:

[sales@integrated-circuit.com](mailto:sales@integrated-circuit.com)

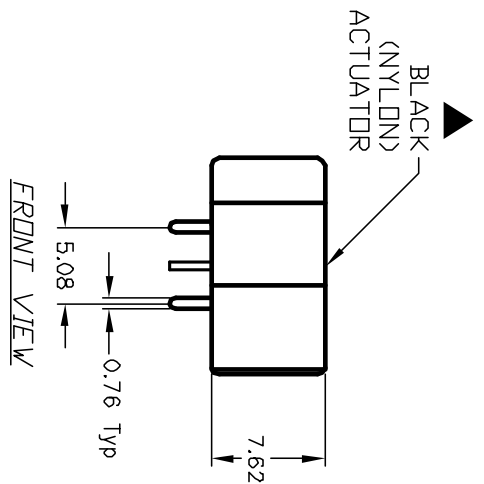
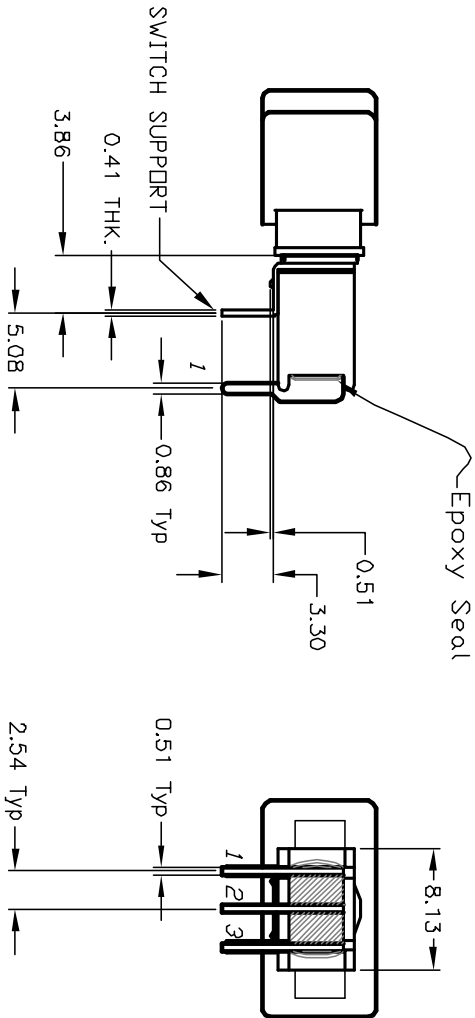
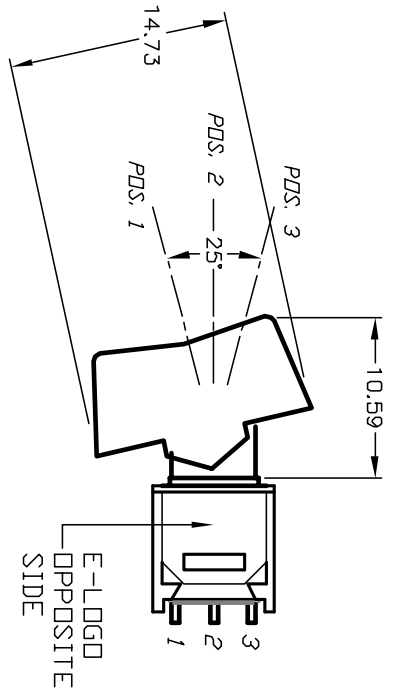


CIRCUIT: SPDT

SWITCH FUNCTION		
POS. 1	POS. 2	POS. 3
DN	NONE	DN
2-3	OPEN	2-1

NOTES:

1. ALL DIMENSIONS IN MM
2. GENERAL TOLERANCE: X.X=±0.4  
X.XX=±0.25
3. TERM. NOS. FOR REF. ONLY
4. CONTACT RATING: 0.4VA @20VAC or 28VAC or DC
5. FIXED TERMINAL & MOVING CONTACT:  
Cu alloy w/GOLD plate over Nickel.
6. ELECTRIC LIFE: 30,000 make-and-break cycles  
at full load.
7. INSULATION RESISTANCE: 1,000 M ohm min.
8. DIELECTRIC STRENGTH: 1,000 V RMS @sea level.
9. OPERATING TEMP.: -30°C to +85°C



FRONT VIEW

REV.	ECN No.	DESCRIPTION	DATE	CHKD
A	12819	RELEASED FOR PRODUCTION	2/18/03	CJB

TITLE	SCALE	DATE	DR	DWG	REV
400 MSP-1 R1 (BLK) M6 RE (GOLD CONTACTS)	2:1	2/18/03	CJB	T411106	A

**E-SWITCH®**

THE INFORMATION CONTAINED IN THIS DOCUMENT IS PROPRIETARY TO E-SWITCH AND IS NOT TO BE COPIED OR TRANSMITTED