

Excellent Integrated System Limited

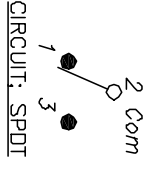
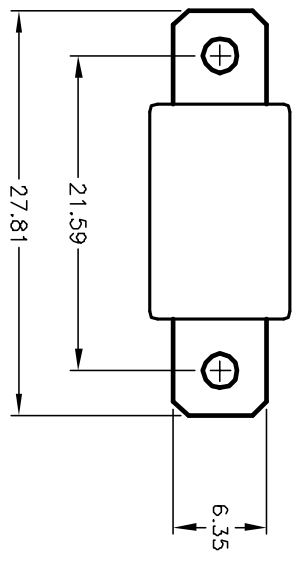
Stocking Distributor

Click to view price, real time Inventory, Delivery & Lifecycle Information:

[E-Switch](#)
[400MSP1R1REDM1RE](#)

For any questions, you can email us directly:

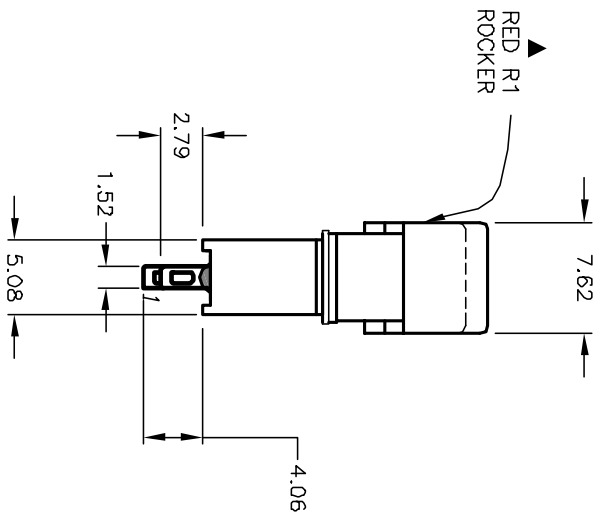
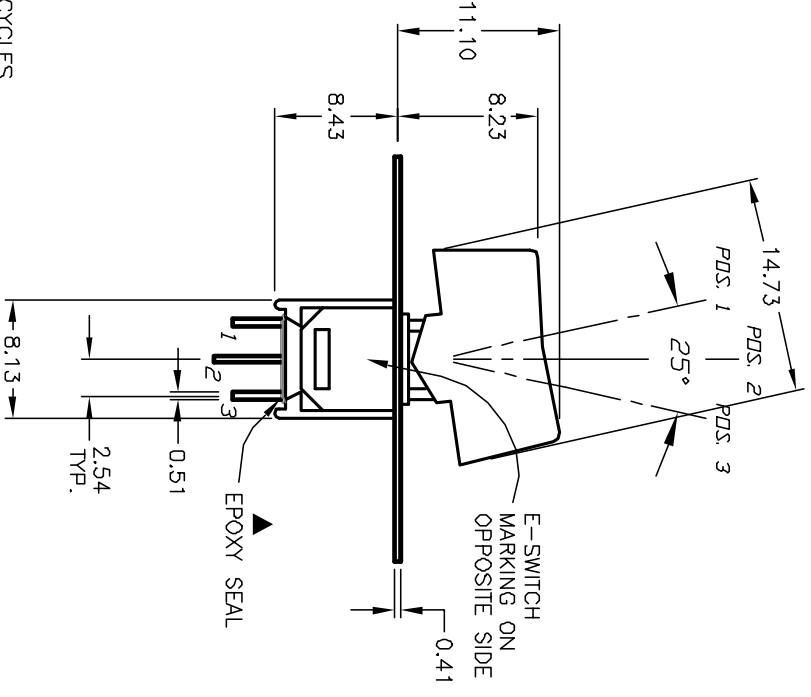
sales@integrated-circuit.com



SWITCH FUNCTION		
POS. 1	POS. 2	POS. 3
DN	NONE	DN
2-3	OPEN	2-1

NOTES:

1. ALL DIMENSIONS IN MM
2. GENERAL TOLERANCE: X.X=±0.4
X.XX=±0.25
3. TERM. NOS. FOR REF. ONLY
4. RATING: 0.4VA @20V AC or DC max.
5. FIXED TERMINAL/MOVING CONTACT:
COPPER ALLOY W/Gold plate over
Nickel plate.
6. ELECTRICAL LIFE: 30,000 MAKE-AND-BREAK CYCLES
AT FULL LOAD.
7. INSULATION RESISTANCE: 1000M OHM TYPICAL
8. DIELECTRIC STRENGTH: 1,000 V RMS @SEA LEVEL
9. OPERATING TEMP.: -30°C to 85°C



REV. A	ECN No. 12367	RELEASED	10/4/02	CB
		DESCRIPTION	DATE	CHKD
		THE INFORMATION CONTAINED IN THIS DOCUMENT IS PROPRIETARY TO E-SWITCH AND IS NOT TO BE COPIED OR TRANSMITTED		

TITLE		SCALE		DR	DWG	REV
400 WSP-1 R1 (RED) M1 RE (GOLD CONTACTS)		2:1		CB	T411109	A
DATE		DATE		E-SWITCH®		
10/4/02		10/4/02				