

Excellent Integrated System Limited

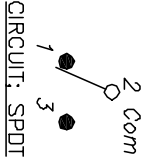
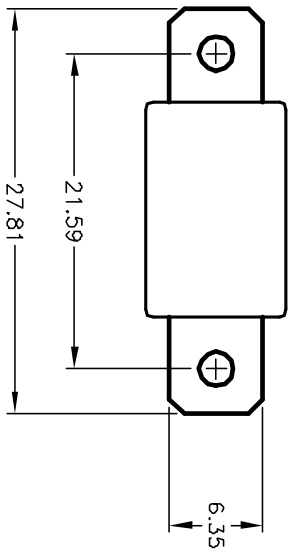
Stocking Distributor

Click to view price, real time Inventory, Delivery & Lifecycle Information:

[E-Switch](#)
[400MSP4R1BLKM1RE](#)

For any questions, you can email us directly:

sales@integrated-circuit.com

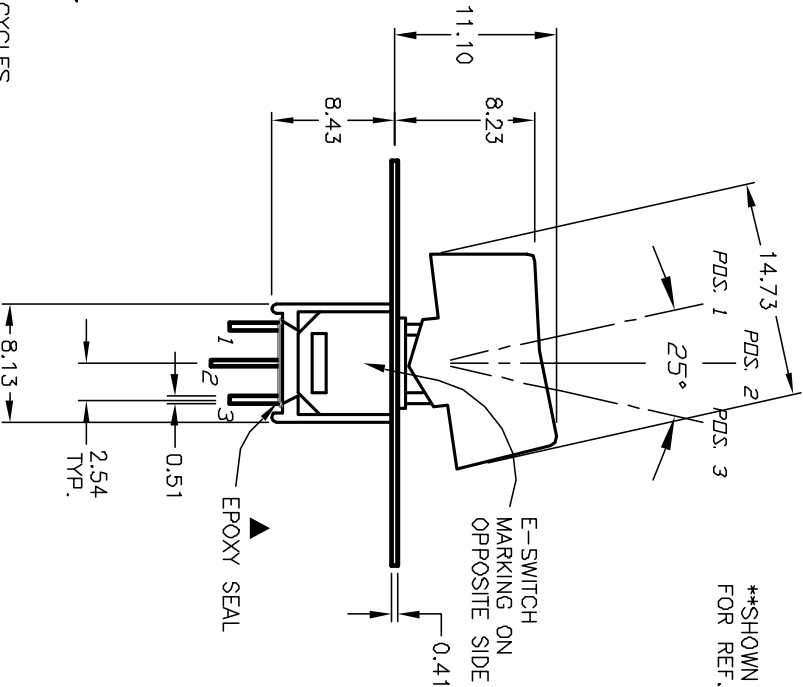


SWITCH FUNCTION		
PDS. 1	PDS. 2	PDS. 3
<DN>	OFF	<DN>
2-3	OPEN	2-1

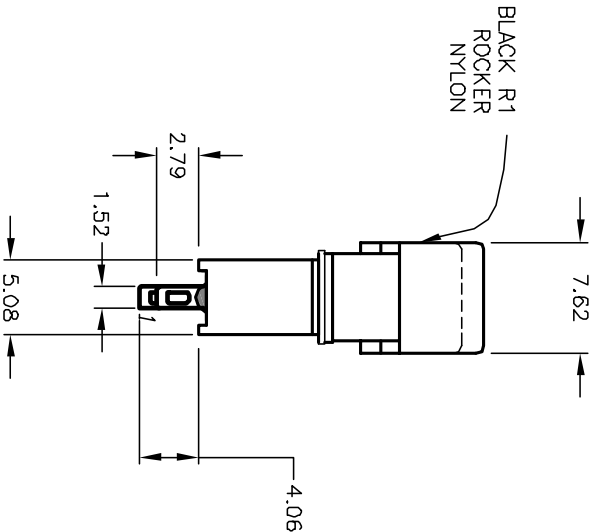
()=Momentary

NOTES:

1. ALL DIMENSIONS IN MM
2. GENERAL TOLERANCE: X.X=±0.4
X.XX=±0.25
3. TERM. NOS. FOR REF. ONLY
4. RATING: 0.4 (VA) MAX. @20 VAC or DC MAX.
5. FIXED TERMINAL/MOVING CONTACT:
COPPER ALLOY W/GOLD PLATE
6. ELECTRICAL LIFE: 30,000 MAKE-AND-BREAK CYCLES
AT FULL LOAD.
7. INSULATION RESISTANCE: 1000M OHM TYPICAL
8. DIELECTRIC STRENGTH: 1,000 V RMS @SEA LEVEL
9. OPERATING TEMP.: -30°C to 85°C



**SHOWN ACTUATED
FOR REF. ONLY



E-SWITCH®

REV.	ECN No.	DESCRIPTION	DATE	CHKD
A	I2367	RELEASED	8/14/02	CB

TITLE	SCALE	DATE	DR	DWG	REV
400 WSP-4 R1 (BLK) M1 RE (GOLD CONTACTS)	2:1	8/14/02	CB	T414011	A

THE INFORMATION CONTAINED IN THIS DOCUMENT IS PROPRIETARY TO E-SWITCH AND IS NOT TO BE COPIED OR TRANSFERRED