

## Excellent Integrated System Limited

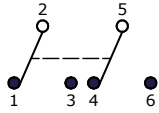
Stocking Distributor

Click to view price, real time Inventory, Delivery & Lifecycle Information:

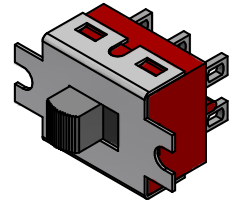
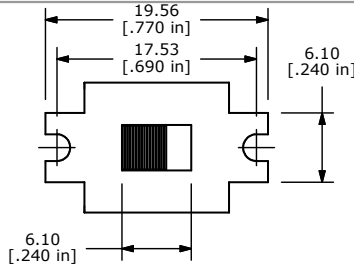
[E-Switch](#)  
[500SDP1S4M1QEB](#)

For any questions, you can email us directly:  
[sales@integrated-circuit.com](mailto:sales@integrated-circuit.com)

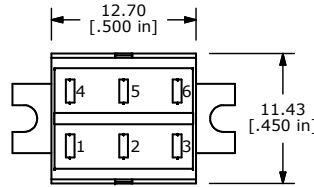
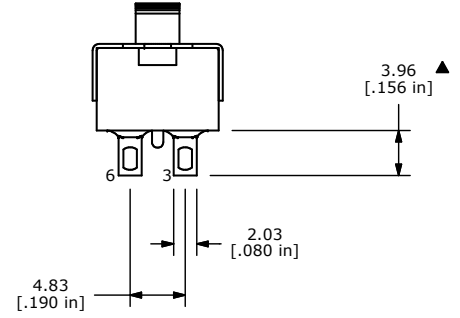
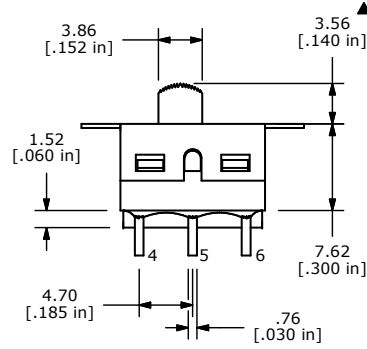
SHEET 1 OF 1



CIRCUIT: DPDT



SWITCH FUNCTION ▲		
POS. 1	POS. 2	POS. 3
ON	NONE	ON
2-1, 5-4	N/A	2-3, 5-6



- NOTE:
1. ALL DIMENSIONS IN MM [INCH]
  2. GENERAL TOLERANCE: X.X=±0.4  
X.XX=±0.25
  3. TERMINAL NUMBERS FOR REF ONLY
  - ▲ 4. PLATING MATERIAL: SILVER
  5. CONTACT RATING: 5A@120VAC OR 28VDC  
2A@250VAC
  6. TRAVEL:2.16mm
  7. ELECTRIC LIFE: 30,000 ACTUATIONS AT FULL LOAD.
  8. CONTACT RESISTANCE: 10 milli-OHMS TYP.
  9. INSULATION RESISTANCE: 1,000 MEGA-OHM MIN.
  10. DIELECTRIC STRENGTH: 1,000 V RMS @SEA LEVEL.
  11. OPERATING TEMP.: -30°C to 85°C
  12. ▲ DENOTES CRITICAL PARAMETER.
  13. 2002/95/EC (ROHS) COMPLIANT



B	19570	DRAWING UPDATE / CLEAN-UP	1/7/11	BGL
REV	PCR NO	DESCRIPTION	DATE	BY

THE INFORMATION CONTAINED IN THIS DOCUMENT IS PROPRIETARY TO E-SWITCH AND IS NOT TO BE COPIED OR TRANSFERRED

TITLE 500SDP1S4M1QEB				
SCALE 2:1	DATE 1/7/2011	DR BGL	DWG T521020	REV B