

Excellent Integrated System Limited

Stocking Distributor

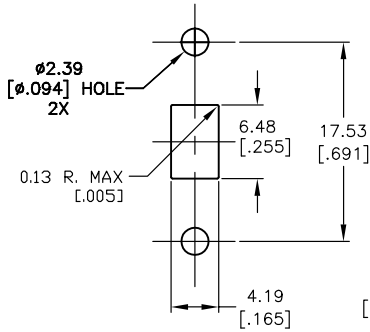
Click to view price, real time Inventory, Delivery & Lifecycle Information:

[E-Switch](#)
[500SSP1S1M7QEB](#)

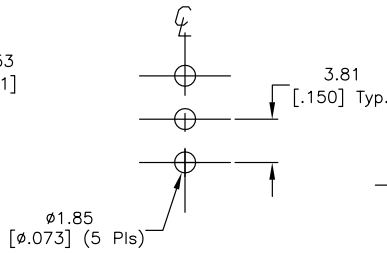
For any questions, you can email us directly:

sales@integrated-circuit.com

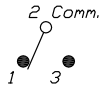
SHEET 1 OF 1



RECOMMENDED PANEL CUTOUT

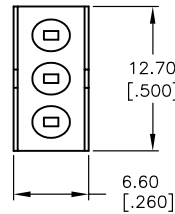
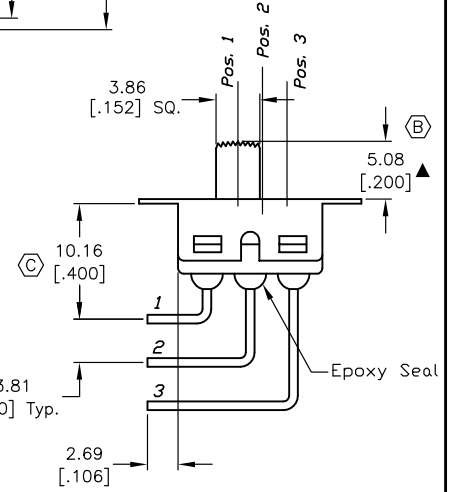
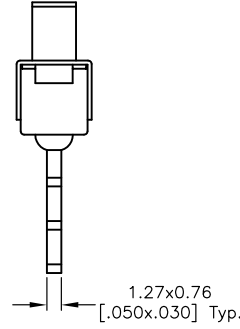
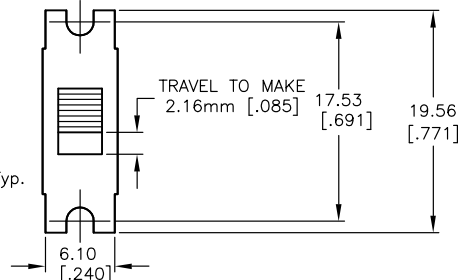


RECOMMEND P.C.B. LAYOUT



CIRCUIT: SPDT
CONTACT CONFIGURATION

SWITCH FUNCTION		
POS. 1	POS. 2	POS. 3
ON	NONE	ON
2-1	OPEN	2-3



NOTES:

1. ALL DIMENSIONS IN MM
2. GENERAL TOLERANCE: X.X=±0.4
X.XX=±0.25
3. TERM. NOS. FOR REFERENCE ONLY.
4. TRAVEL TO MAKE: 2.16MM
5. RATING: 5 AMPS @ 120VAC OR 28VDC;
2 AMPS @ 250VAC
6. MATERIAL: SILVER PLATED COPPER ALLOY
7. ▲ DENOTES CRITICAL PARAMETER.

C	13412	10.16 WAS 10.34	8/29/03	AR
B	13356	5.08 WAS 4.72	8/8/03	AR
A	13257	RELEASED FOR PRODUCTION	6/30/03	AR
REV.	ECN No.	DESCRIPTION	DATE	CHKD

THE INFORMATION CONTAINED IN THIS DOCUMENT IS PROPRIETARY TO E-SWITCH AND IS NOT TO BE COPIED OR TRANSFERRED

E-SWITCH®

TITLE				
500SSP1S1M7QEB				
SCALE	DATE	DR	DWG	REV
2:1	6/30/03	AR	T511017	C