

Excellent Integrated System Limited

Stocking Distributor

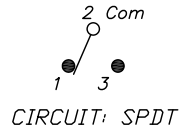
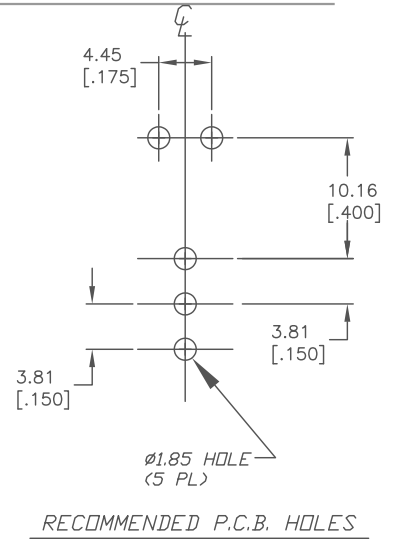
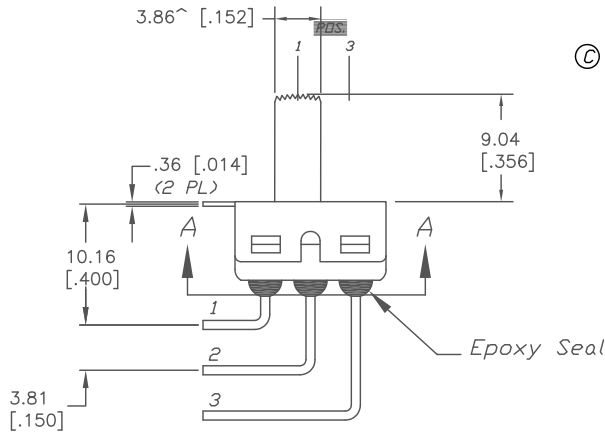
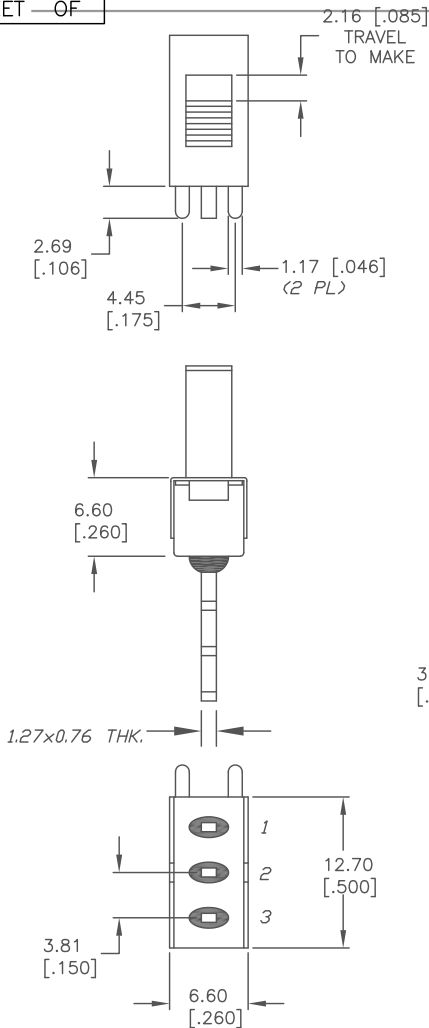
Click to view price, real time Inventory, Delivery & Lifecycle Information:

[E-Switch](#)
[500SSP1S3M7QEA](#)

For any questions, you can email us directly:

sales@integrated-circuit.com

SHEET — OF



NOTES:

1. ALL DIMENSIONS IN MM [INCH]
2. GENERAL TOLERANCE: X.X=±0.4
X.XX=±0.25
3. TERM NOS. FOR REF. ONLY
4. RATING: 5A @120VAC or 28VDC (Resistive Load)
2A @250VAC
5. CONTACT MATERIAL: Copper ALloy w/Silver Plating
6. INSULATION RESISTANCE: 1000 Mega Ohms min.
7. DIELECTRIC STRENGTH: 1000V RMS @SEA LEVEL.
8. OPERATING TEMPERATURE: -30°C TO 85°C

SWITCH FUNCTION		
POS. 1	POS. 2	POS. 3
ON	NONE	ON
2-1	OPEN	2-3

REV.	ECN No.	DESCRIPTION	DATE	CHKD
D	21656	EDIED DIMENSIONS	10/22/14	AS
C	12382	REVISED ACTUATOR	8/19/02	CJB
B	11547	REVISED ACTUATOR/NOTES	7/3/01	CJB

<i>E-SWITCH</i> [®]				
TITLE				
500 SSP-1 S3 M7 Q E A				
SCALE	DATE	DR	DWG	REV
2:1	2/12/01	CJB	T511010	D

THE INFORMATION CONTAINED IN THIS DOCUMENT IS PROPRIETARY TO E-SWITCH AND IS NOT TO BE COPIED OR TRANSFERRED