

Excellent Integrated System Limited

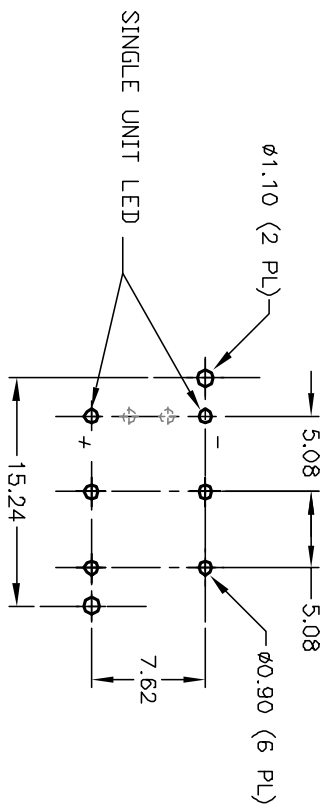
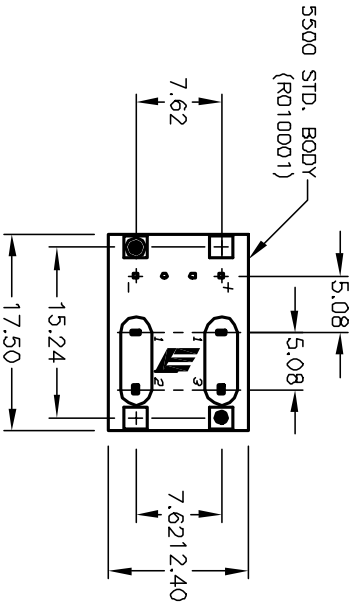
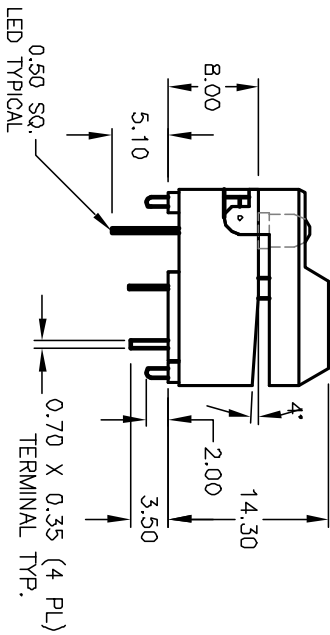
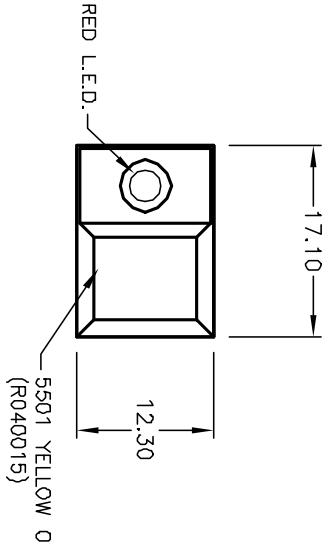
Stocking Distributor

Click to view price, real time Inventory, Delivery & Lifecycle Information:

[E-Switch](#)
[5501MYELX](#)

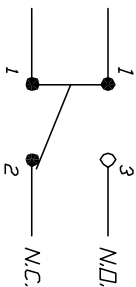
For any questions, you can email us directly:

sales@integrated-circuit.com



RECOMMENDED P.C.B. LAYOUT

LED SPECIFICATION	SYMBOL	RED LED	TYP.	UNITS
POWER DISSIPATION	P_D	MAX. 80	MIN. --	mW
FORWARD VOLTAGE	V_F	2.8	1.9	V
REVERSE VOLTAGE	V_R	5		V
EMISSION WAVELENGTH	λ_P			nm
AVE. FORWARD CURRENT	I_{AF}	30	--	mA
LUMINOUS INTENSITY	I_v		0.7	mcld



CIRCUIT: SPDT
CONTACT CONFIGURATION

NOTES:

1. ALL DIMENSIONS IN MM
2. GENERAL TOLERANCE: X.X=±0.4
X.XX=±0.25
3. TERM. NO. FOR REF. ONLY
4. RATING: 12mA @24V
5. FIXED CONTACT/MOVING CONTACT:
COPPER ALLOY W/GOLD PLATE
6. CONTACT BOUNCE: <5m SEC.
7. CONTACT RESISTANCE: <50milli-OHMS
8. TRAVEL: 2.5±0.2mm

E-SWITCH®

5501-M-3-1

TITLE	DATE	DR	DWG	REV
SCALE 1.5:1	5/14/02	CJB	XR0214P	A

REV.	ECN No.	DESCRIPTION	DATE	CHKD
A	12151	RELEASED FOR PRODUCTION	5/14/02	CJB

THE INFORMATION CONTAINED IN THIS DOCUMENT IS PROPRIETARY TO E-SWITCH AND IS NOT TO BE COPIED OR TRANSMITTED