

## Excellent Integrated System Limited

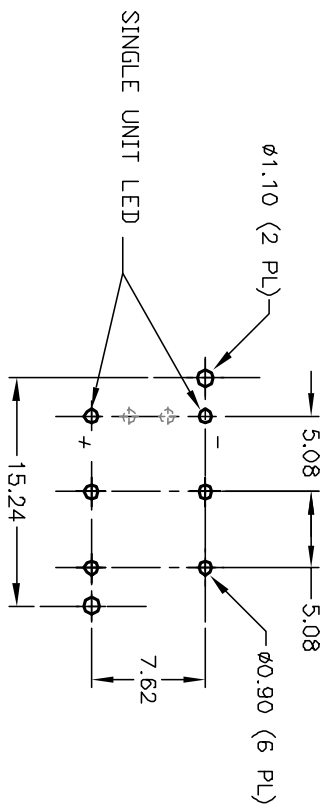
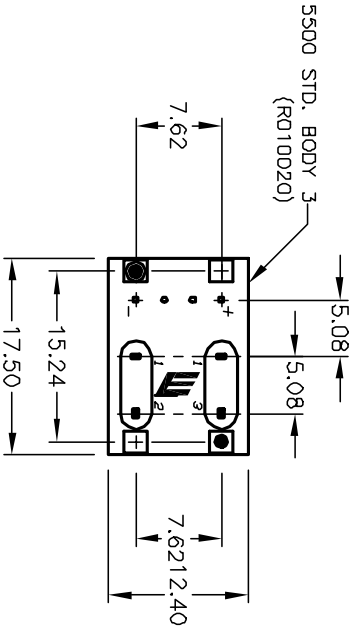
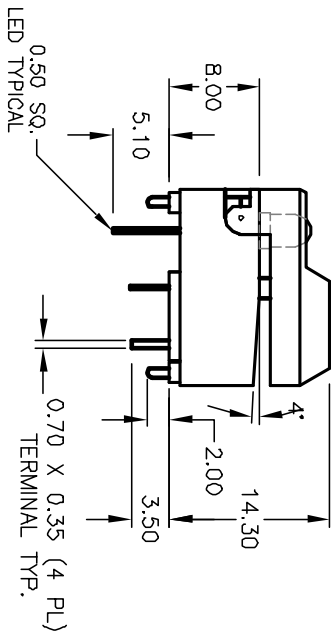
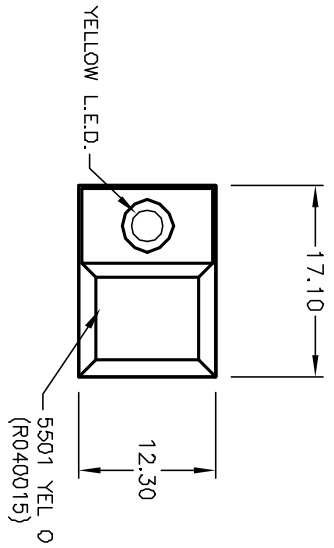
Stocking Distributor

Click to view price, real time Inventory, Delivery & Lifecycle Information:

[E-Switch](#)  
[5501MYELYEL](#)

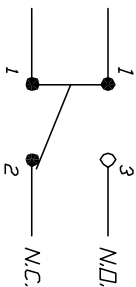
For any questions, you can email us directly:

[sales@integrated-circuit.com](mailto:sales@integrated-circuit.com)



RECOMMENDED P.C.B. LAYOUT

LED SPECIFICATION	SYMBOL	MAX.	MIN.	TYP.	UNITS
POWER DISSIPATION	$P_D$	100	--		mW
FORWARD VOLTAGE	$V_F$	2.8	1.8	2.1	V
REVERSE VOLTAGE	$V_R$	5			V
EMISSION WAVELENGTH	$\lambda_p$			590	nm
AVE. FORWARD CURRENT	$I_{AF}$	30	--		mA
REVERSE CURRENT	$I_R$	100	--		$\mu$ A
LUMINOUS INTENSITY	$I_V$	5.0		12.0	mcd



CIRCUIT: SPDT  
CONTACT CONFIGURATION

NOTES:

1. ALL DIMENSIONS IN MM
2. GENERAL TOLERANCE: X.X=±0.4  
X.XX=±0.25
3. TERM. NO. FOR REF. ONLY
4. RATING: 12mA @24V
5. FIXED CONTACT/MOVING CONTACT:  
COPPER ALLOY W/GOLD PLATE
6. CONTACT BOUNCE: <5m SEC.
7. CONTACT RESISTANCE: <50milli-ohms
8. TRAVEL: 2.5±0.2mm
9. OPERATING TEMP. RANGE: -20°C to +80°C

**E-SWITCH®**

5501-M-3-3

TITLE	SCALE	DATE	DR	DWG	REV
	1.5:1	5/15/02	CJB	XR0219P	A

REV.	ECN No.	DESCRIPTION	DATE	CHKD
A	12153	RELEASED FOR PRODUCTION	5/15/02	CJB

THE INFORMATION CONTAINED IN THIS DOCUMENT IS PROPRIETARY TO E-SWITCH AND IS NOT TO BE COPIED OR TRANSMITTED