

## **Excellent Integrated System Limited**

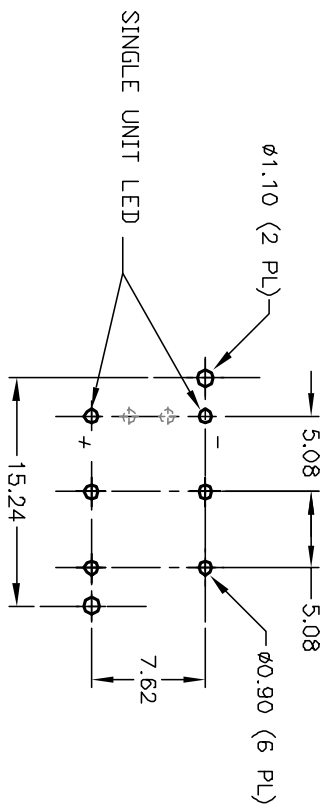
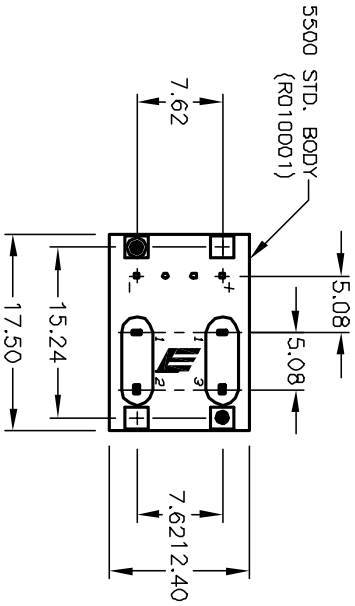
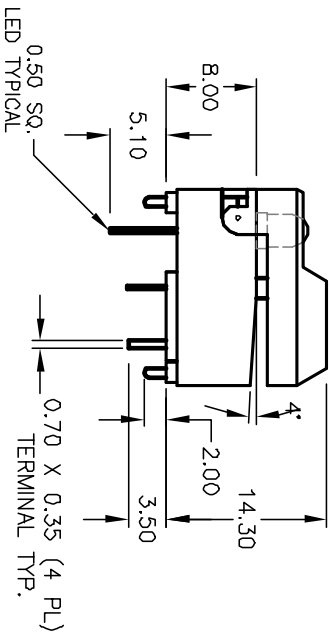
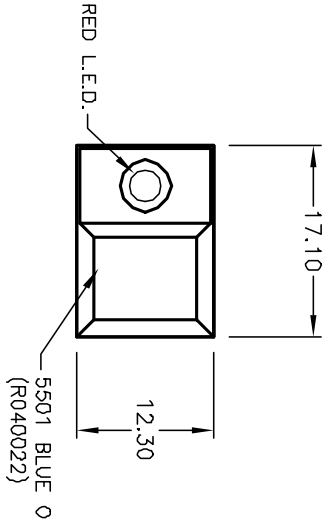
Stocking Distributor

Click to view price, real time Inventory, Delivery & Lifecycle Information:

[E-Switch](#)  
[5501MBLUX](#)

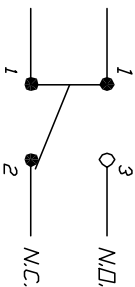
For any questions, you can email us directly:

[sales@integrated-circuit.com](mailto:sales@integrated-circuit.com)



RECOMMENDED P.C.B. LAYOUT

LED SPECIFICATION	SYMBOL	RED LED		UNITS
		MAX.	MIN.	
POWER DISSIPATION	$P_D$	80	--	mW
FORWARD VOLTAGE	$V_F$	2.8	1.9	V
REVERSE VOLTAGE	$V_R$	5		V
EMISSION WAVELENGTH	$\lambda_p$			nm
AVE. FORWARD CURRENT	$I_{AF}$	30	--	mA
LUMINOUS INTENSITY	$I_v$		0.7	mcd



CIRCUIT: SPDT CONTACT CONFIGURATION

NOTES:

1. ALL DIMENSIONS IN MM
2. GENERAL TOLERANCE: X.X=±0.4  
X.XX=±0.25
3. TERM. NO. FOR REF. ONLY
4. RATING: 12mA @24V
5. FIXED CONTACT/MOVING CONTACT: COPPER ALLOY W/GOLD PLATE
6. CONTACT BOUNCE: <5m SEC.
7. CONTACT RESISTANCE: <50milli-OHMS
8. TRAVEL: 2.5±0.2mm

**E-SWITCH**®

5501-M-4-1

TITLE	DATE	DR	DWG	REV
SCALE 1.5:1	5/14/02	CJB	XR0170P	B

REV.	ECN No.	DESCRIPTION	DATE	CHKD
B	12151	REVISED AND REDRAWN	5/14/02	CJB
		THE INFORMATION CONTAINED IN THIS DOCUMENT IS PROPRIETARY TO E-SWITCH AND IS NOT TO BE COPIED OR TRANSMITTED		