

Excellent Integrated System Limited

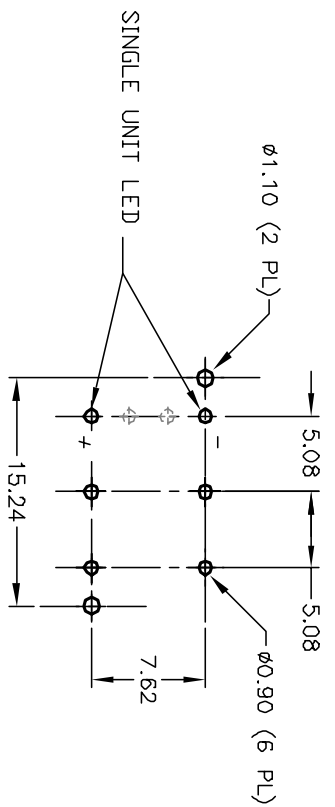
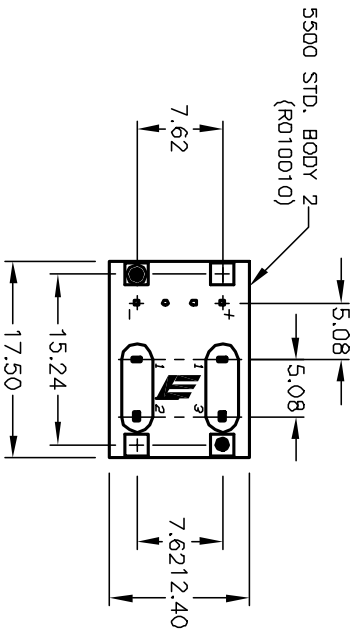
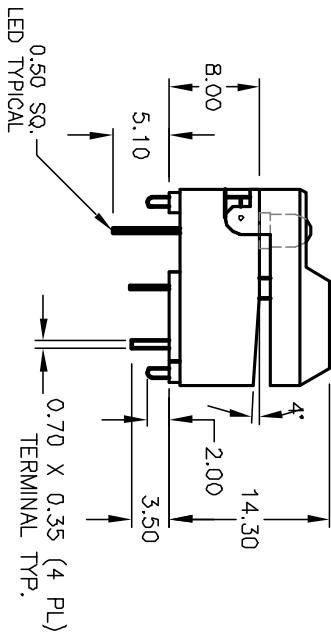
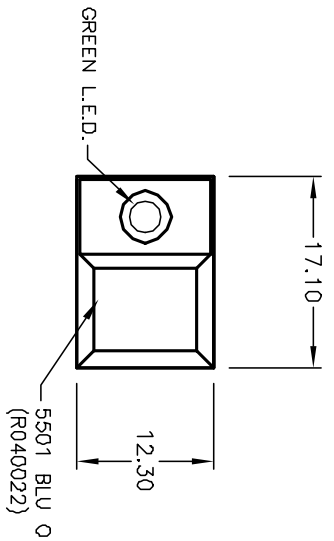
Stocking Distributor

Click to view price, real time Inventory, Delivery & Lifecycle Information:

[E-Switch](#)
[5501MBLUGRN](#)

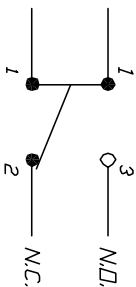
For any questions, you can email us directly:

sales@integrated-circuit.com



RECOMMENDED P.C.B. LAYOUT

LED SPECIFICATION	SYMBOL	GRN LED	MAX.	MIN.	TYP.	UNITS
POWER DISSIPATION	P_D		100	--		mW
FORWARD VOLTAGE	V_F		2.8	1.9	2.2	V
REVERSE VOLTAGE	V_R		5			V
EMISSION WAVELENGTH	λ_p				570	nm
AVE. FORWARD CURRENT	I_{AF}		30	--		mA
REVERSE CURRENT	I_R		100	--		μ A
LUMINOUS INTENSITY	I_V		6.0		15.0	mcd



CIRCUIT: SPDT CONTACT CONFIGURATION

NOTES:

1. ALL DIMENSIONS IN MM
2. GENERAL TOLERANCE: X.X=±0.4 X.XX=±0.25
3. TERM. NO. FOR REF. ONLY
4. RATING: 12mA @24V
5. FIXED CONTACT/MOVING CONTACT: COPPER ALLOY W/GOLD PLATE
6. CONTACT BOUNCE: <5m SEC.
7. CONTACT RESISTANCE: <50milli-ohms
8. TRAVEL: 2.5±0.2mm
9. OPERATING TEMP. RANGE: -20°C to +80°C

E-SWITCH®

5501-M-4-2

REV.	ECN No.	DESCRIPTION	DATE	CHKD	SCALE	DATE	DR	DWG	REV
B	12153	REVISED AND REDRAWN	5/15/02	CJB	1.5:1	5/15/02	CJB	XR0172P	B

THE INFORMATION CONTAINED IN THIS DOCUMENT IS PROPRIETARY TO E-SWITCH AND IS NOT TO BE COPIED OR TRANSMITTED