

Excellent Integrated System Limited

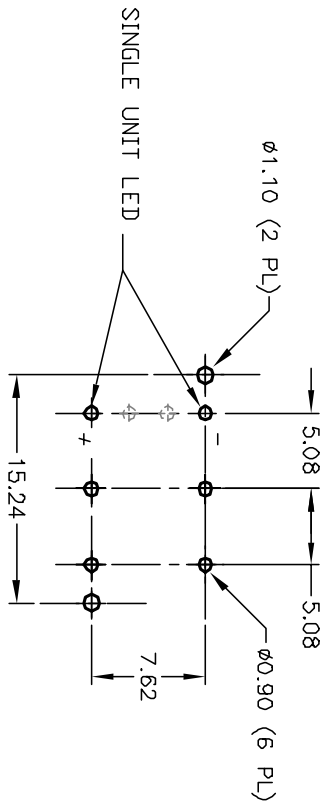
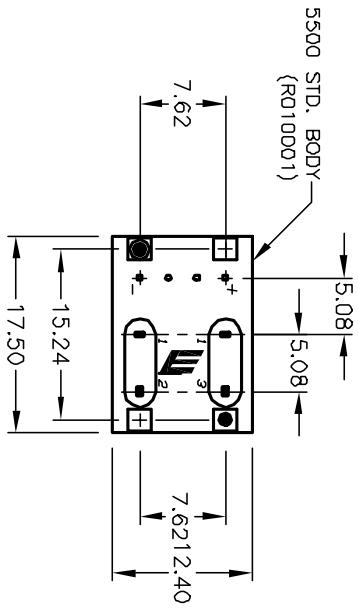
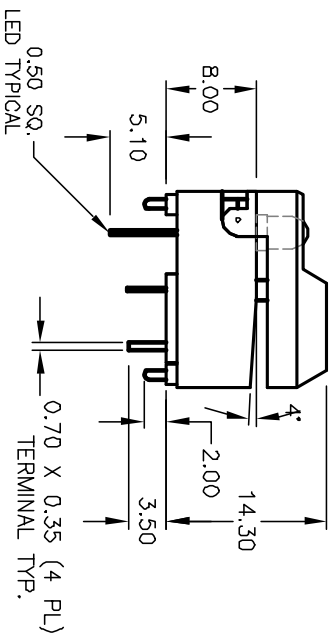
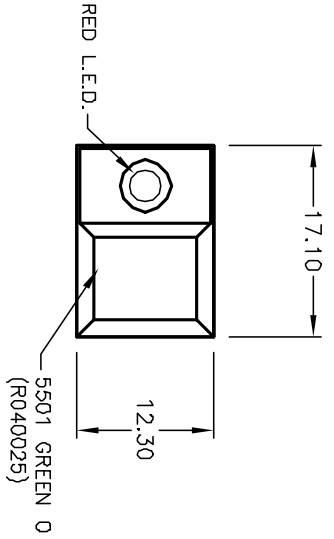
Stocking Distributor

Click to view price, real time Inventory, Delivery & Lifecycle Information:

[E-Switch](#)
[5501M71](#)

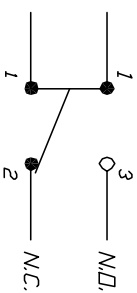
For any questions, you can email us directly:

sales@integrated-circuit.com



RECOMMENDED P.C.B. LAYOUT

LED SPECIFICATION	SYMBOL	RED L.E.D.	UNITS
POWER DISSIPATION	P_D	MAX. 80 MIN. --	mW
FORWARD VOLTAGE	V_F	2.8 1.9	V
REVERSE VOLTAGE	V_R	5	V
EMISSION WAVELENGTH	λ_P	695	nm
AVE. FORWARD CURRENT	I_{AF}	30	mA
LUMINOUS INTENSITY	I_v	0.7 22	mcd



CIRCUIT: SPDT
CONTACT CONFIGURATION

NOTES:

1. ALL DIMENSIONS IN MM
2. GENERAL TOLERANCE: X.X=±0.4
X.XX=±0.25
3. TERM. NO. FOR REF. ONLY
4. RATING: 12mA @24V
5. FIXED CONTACT/MOVING CONTACT:
COPPER ALLOY W/GOLD PLATE
6. CONTACT BOUNCE: <5m SEC.
7. CONTACT RESISTANCE: <50milli-OHMS
8. TRAVEL: 2.5±0.2mm



5501-M-7-1

REV.	ECN No.	DESCRIPTION	DATE	CHKD
A	12151	RELEASED FOR PRODUCTION	5/14/02	CJB

TITLE	SCALE	DATE	DR	DWG	REV
5501-M-7-1	1.5:1	5/14/02	CJB	XR0217P	A

THE INFORMATION CONTAINED IN THIS DOCUMENT IS PROPRIETARY TO E-SWITCH AND IS NOT TO BE COPIED OR TRANSMITTED