

Excellent Integrated System Limited

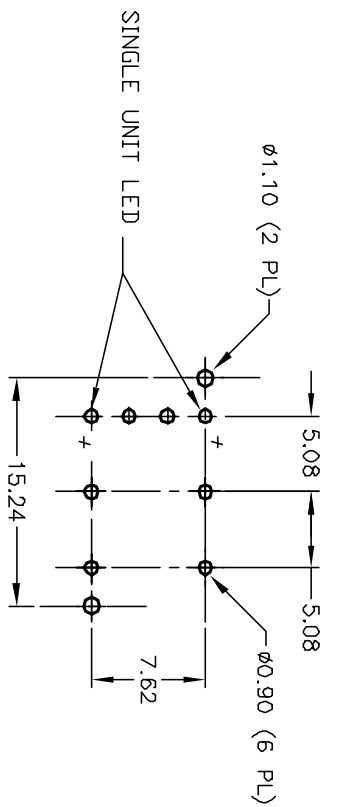
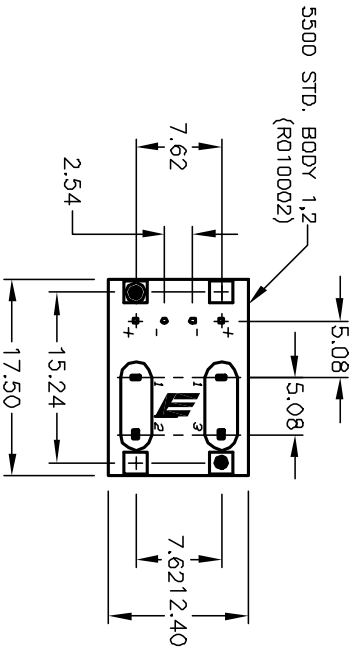
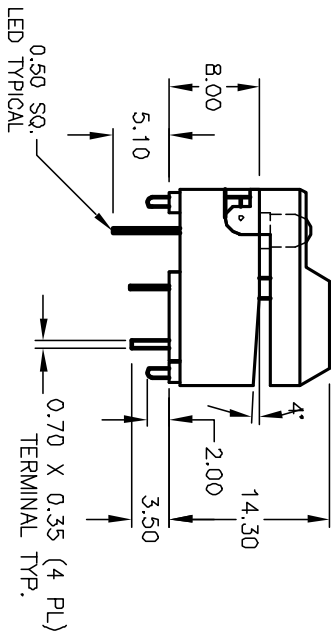
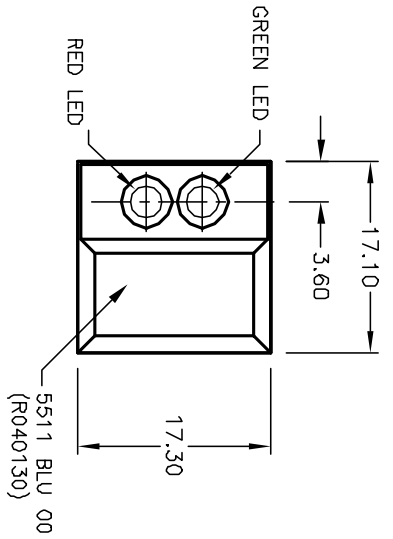
Stocking Distributor

Click to view price, real time Inventory, Delivery & Lifecycle Information:

[E-Switch](#)
[5511MBLUREDGRN](#)

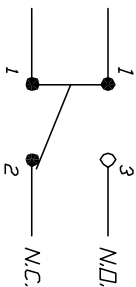
For any questions, you can email us directly:

sales@integrated-circuit.com



RECOMMENDED P.C.B. LAYOUT

LED SPECIFICATION	SYMBOL	RED L.E.D		GREEN L.E.D		UNITS
		MAX.	MIN.	MAX.	MIN.	
POWER DISSIPATION	P _D	80	--	100	--	mW
FORWARD VOLTAGE	V _F	2.8	1.9	2.8	1.9	V
REVERSE VOLTAGE	V _R	5	5	5	5	V
EMISSION WAVELENGTH	λ _P	695	695	695	570	nm
AVE. FORWARD CURRENT	I _{AF}	30	--	30	--	mA
LUMINOUS INTENSITY	I _v	0.7	0.7	22	15	mc/d



CIRCUIT: SPDT
CONTACT CONFIGURATION

NOTES:

1. ALL DIMENSIONS IN MM
2. GENERAL TOLERANCE: X.X=±0.4
X.XX=±0.25
3. TERM. NO. FOR REF. ONLY
4. RATING: 12mA @24V
5. FIXED CONTACT/MOVING CONTACT:
COPPER ALLOY W/GOLD PLATE
6. CONTACT BOUNCE: <5m SEC.
7. CONTACT RESISTANCE: <50milli-OHMS

E-SWITCH®

5511-M-4-1,2

TITLE	SCALE	DATE	DR	DWG	REV
5511-M-4-1,2	1.5:1	5/8/02	CJB	XR0218P	4

REV.	ECN No.	DESCRIPTION	DATE	CHKD
A	12128	RELEASED FOR PRODUCTION	5/8/02	CJB

THE INFORMATION CONTAINED IN THIS DOCUMENT IS PROPRIETARY TO E-SWITCH AND IS NOT TO BE COPIED OR TRANSMITTED