

Excellent Integrated System Limited

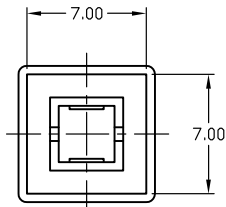
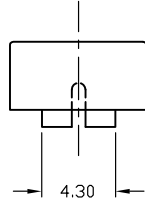
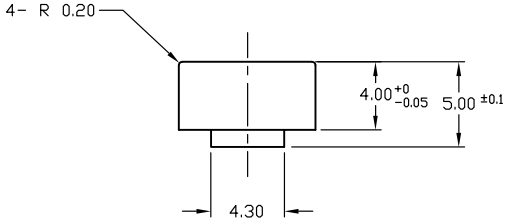
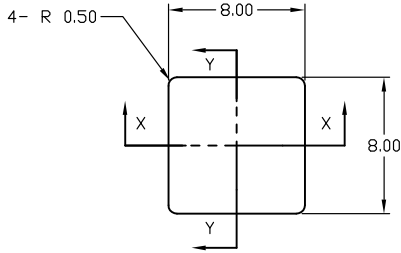
Stocking Distributor

Click to view price, real time Inventory, Delivery & Lifecycle Information:

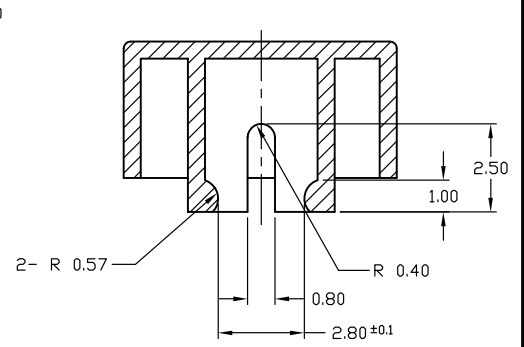
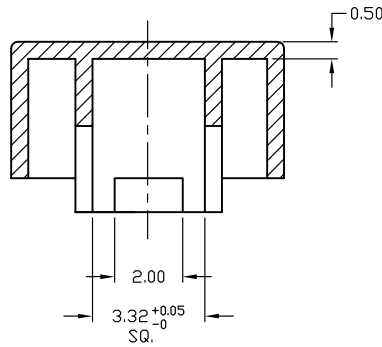
[E-Switch](#)
[6JBLU](#)

For any questions, you can email us directly:
sales@integrated-circuit.com

SHEET 1 OF 1



PART NO. SHOWN: 6J BUTTON BLACK



NOTES:

1. ALL DIMENSIONS IN MM
2. BUTTON COLOR: BLUE

E-SWITCH®

A	13423	RELEASED FOR PRODUCTION	9/5/03	AR
REV.	ECN No.	DESCRIPTION	DATE	CHKD
<small>THE INFORMATION CONTAINED IN THIS DOCUMENT IS PROPRIETARY TO E-SWITCH AND IS NOT TO BE COPIED OR TRANSFERRED</small>				

TITLE				
6JBLU BUTTON				
SCALE	DATE	DR	DWG	REV
3:1	9/5/03	AR	P001074	A