

Excellent Integrated System Limited

Stocking Distributor

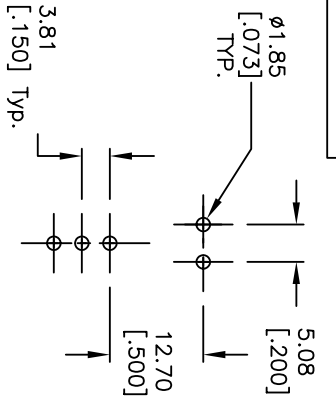
Click to view price, real time Inventory, Delivery & Lifecycle Information:

[E-Switch](#)
[700SP7B21M7REC2BLK](#)

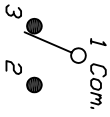
For any questions, you can email us directly:

sales@integrated-circuit.com

SHEET OF



RECOMMENDED P.C.B. LAYOUT
 NOT TO SCALE



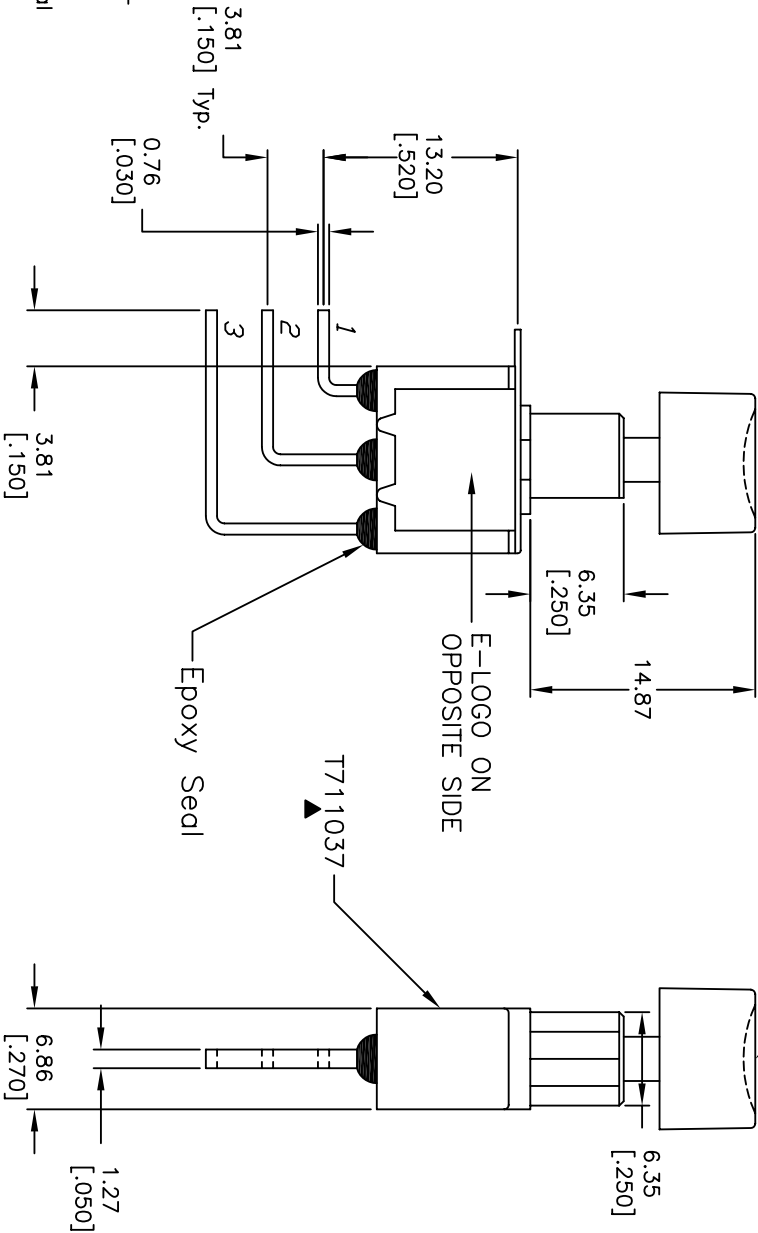
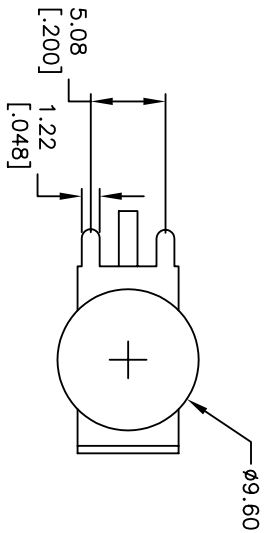
CIRCUIT: SPDT

SWITCH FUNCTION	
DN	(DN)
1-3	1-2

() = MOMENTARY

NOTES:

1. ALL DIMENSIONS IN MM [INCH]
2. GENERAL TOLERANCE: X.XX=±0.4
3. TERM. NOS. FOR REF. ONLY
4. RATING: 0.4(VA) max. @20V (AC or DC)
5. MATERIAL: FIXED TERMINAL & MOVING CONTACT
Copper Alloy w/GOLD plate over
Nickel plate
6. CONTACT RESISTANCE: 20milli Ohms max initial
@2-4VDC, 100ma for AG & AU
7. ELECTRICAL LIFE: 50,000 make-and-break
cycles at full load.
8. INSULATION RESISTANCE: 1,000M ohm min.
9. DIELECTRIC STRENGTH: 1000V RMS @sea level
10. OPERATING TEMP.: -30°C to 85°C
11. ▲ DENOTES CRITICAL PARAMETER



REV.	ECN No.	DESCRIPTION	DATE	CHKD
A	15174	NEW RELEASE	8/17/05	PV

TITLE	SCALE	DATE	DR	DWG	REV
700 SP7 B21 M7 RE C2 BLK	2:1	8/17/05	PV	XT0131P	A

E-SWITCH®

THE INFORMATION CONTAINED IN THIS DOCUMENT IS PROPRIETARY TO E-SWITCH AND IS NOT TO BE COPIED OR TRANSMITTED