

Excellent Integrated System Limited

Stocking Distributor

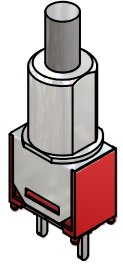
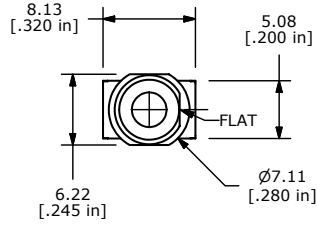
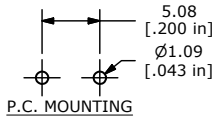
Click to view price, real time Inventory, Delivery & Lifecycle Information:

[E-Switch](#)
[800SP9B8M2RE](#)

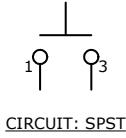
For any questions, you can email us directly:

sales@integrated-circuit.com

SHEET 1 OF 1



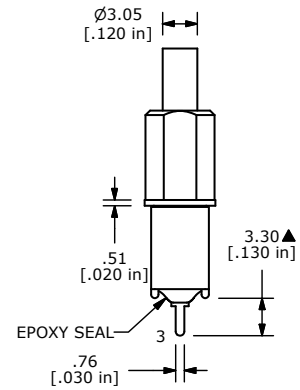
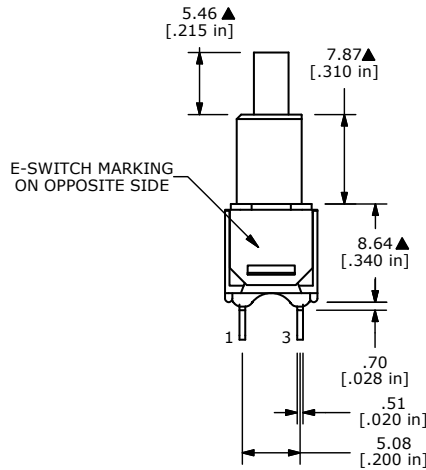
SWITCH FUNCTION	
POS. 1	POS. 2
OFF	(ON)
OPEN	1-3



CIRCUIT: SPST

(ON)=MOMENTARY

- NOTE:
- ALL DIMENSIONS IN MM [INCH]
 - GENERAL TOLERANCE: X.X=±0.4
X.XX=±0.25
 - TERMINAL NUMBERS FOR REF ONLY
 - CONTACT MATERIAL: COPPER ALLOY W/ GOLD PLATE OVER NICKEL PLATE
 - RATING: 0.4VA @ 20V AC OR DC MAX.
 - MECHANICAL LIFE: 50,000 MAKE-AND-BREAK CYCLES
 - CONTACT RESISTANCE: 20 mΩ MAX. INITIAL @ 2-4VDC 100mA FOR BOTH GOLD AND SILVER CONTACTS
 - INSULATION RESISTANCE: 1,000 MEGA-OHM MIN.
 - ELECTRIC STRENGTH: 1,000 V RMS @SEA LEVEL.
 - OPERATING TEMP.: -30°C to 85°C
 - ▲DENOTES CRITICAL PARAMETER.
 - 2002/95/EC (ROHS) COMPLIANT



TITLE 800SP9B8M2RE				
B	19984	UPDATE DRAWING	06/09/11	BMA
REV	PCR NO	DESCRIPTION	DATE	BY
<small>THE INFORMATION CONTAINED IN THIS DOCUMENT IS PROPRIETARY TO E-SWITCH AND IS NOT TO BE COPIED OR TRANSFERRED</small>				
SCALE	2:1	DATE	6/9/2011	DR BMA
DWG	T811033	REV	B	